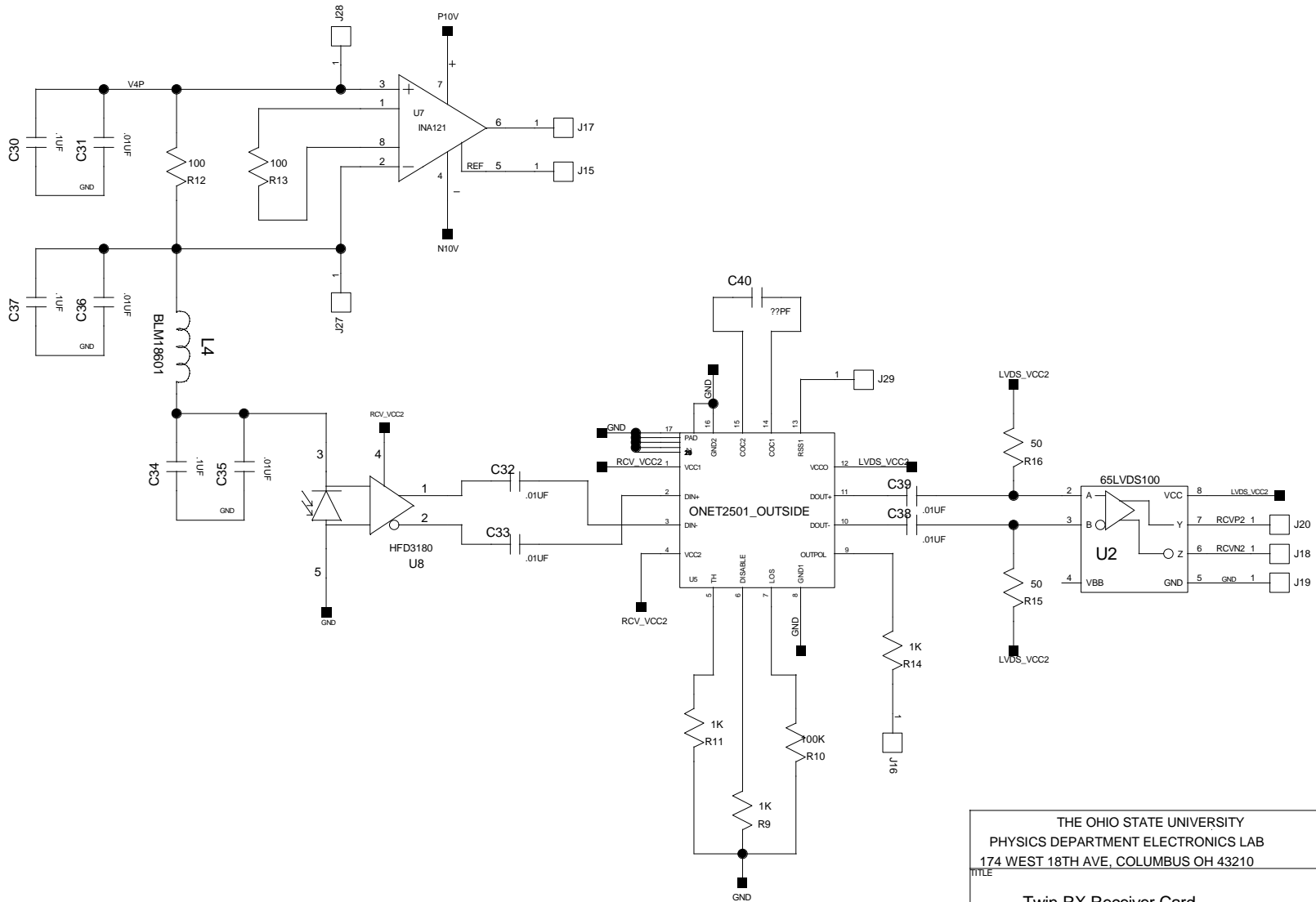


THE OHIO STATE UNIVERSITY  
 PHYSICS DEPARTMENT ELECTRONICS LAB  
 174 WEST 18TH AVE, COLUMBUS OH 43210

TITLE  
**Twin RX Receiver Card**

PARENT PAGE PROJECT  
**D821D**

BY DATE FILE PAGE  
**DSS 4-13-2006\_14:18 B821D . 1**

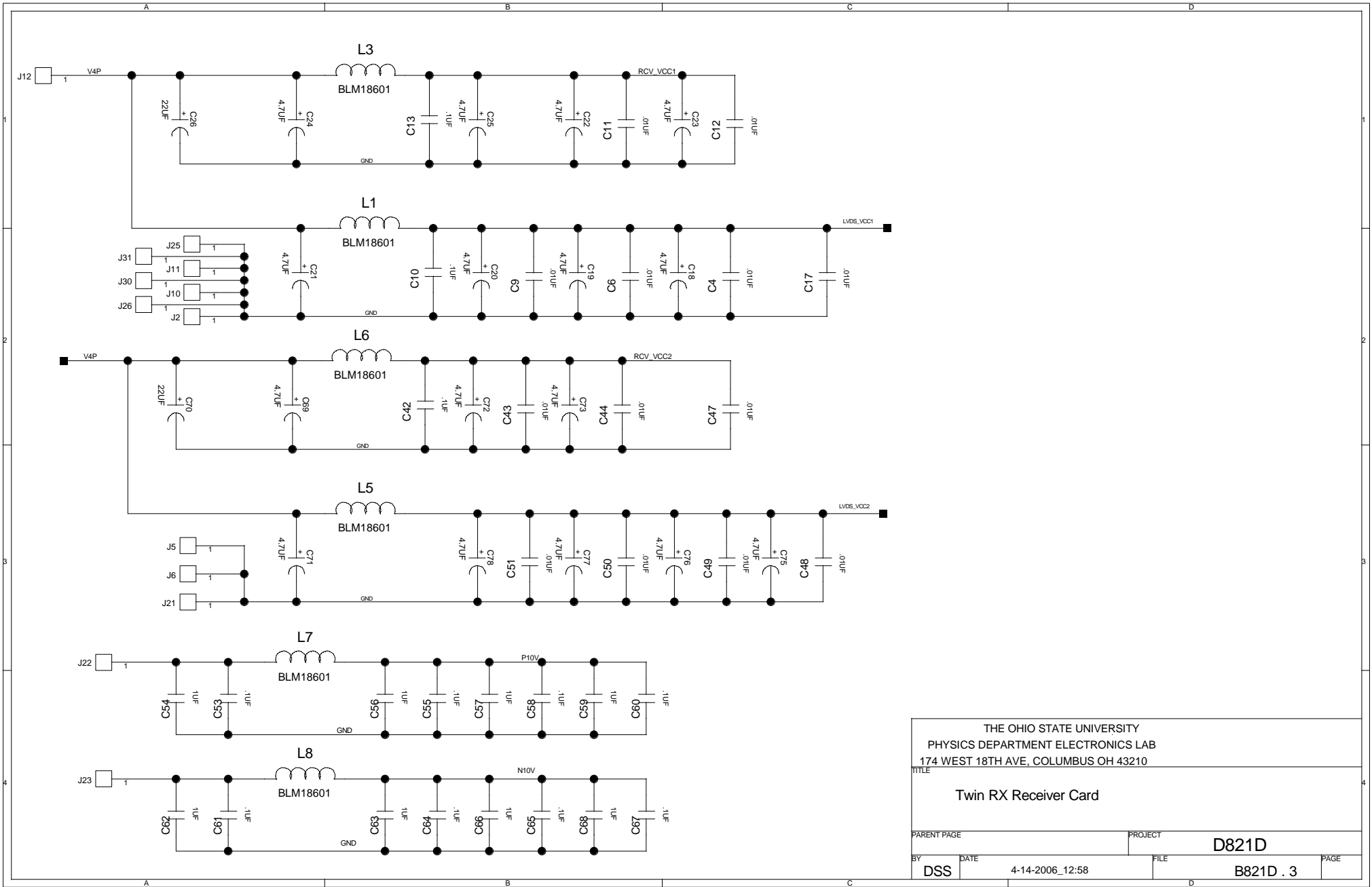


THE OHIO STATE UNIVERSITY  
 PHYSICS DEPARTMENT ELECTRONICS LAB  
 174 WEST 18TH AVE, COLUMBUS OH 43210

TITLE  
**Twin RX Receiver Card**

PARENT PAGE PROJECT  
 D821D

BY DATE FILE PAGE  
 DSS 4-13-2006\_14:18 B821D . 2



THE OHIO STATE UNIVERSITY PHYSICS DEPARTMENT ELECTRONICS LAB 174 WEST 18TH AVE, COLUMBUS OH 43210			
TITLE <b>Twin RX Receiver Card</b>			
PARENT PAGE	PROJECT		<b>D821D</b>
BY <b>DSS</b>	DATE 4-14-2006_12:58	FILE <b>B821D . 3</b>	PAGE