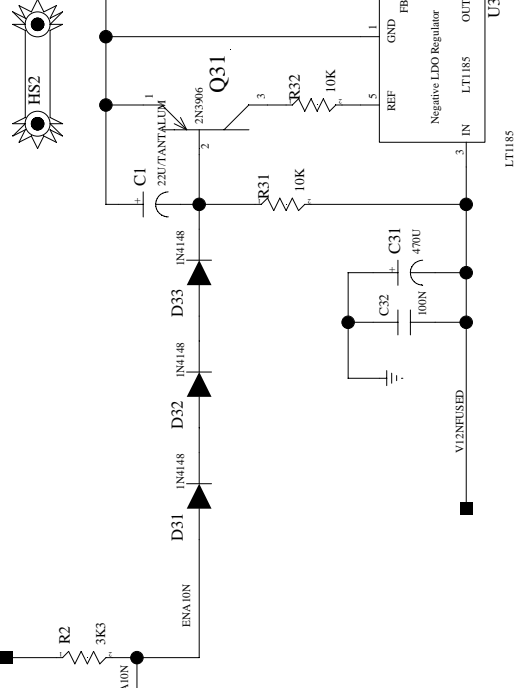
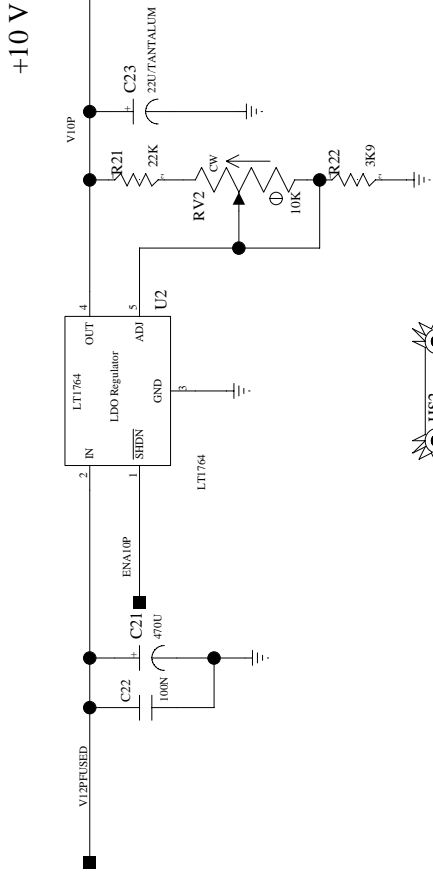
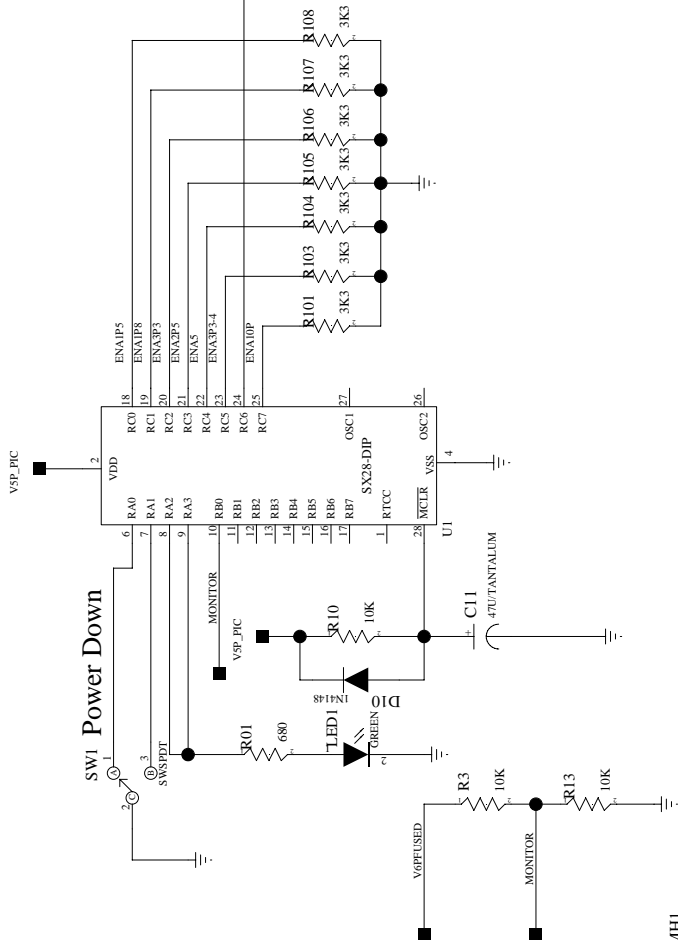
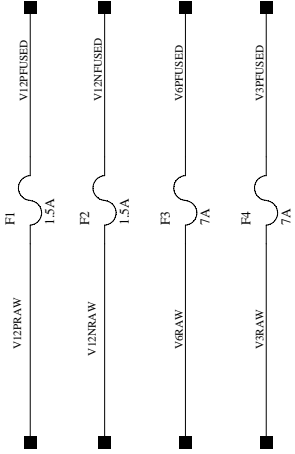
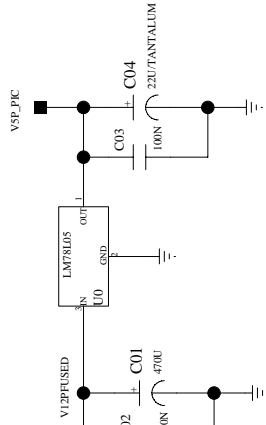
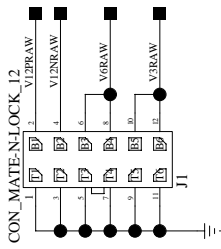


MH4



MH1

THE OHIO STATE UNIVERSITY
PHYSICS DEPARTMENT ELECTRONICS LAB
174 WEST 18TH AVE, COLUMBUS OH 43210

Pixel Opto R&D Test Board Power Supply
for D. Shane Smith

BY: moj
DATE: 12-28-2006_15:00

PROJECT: D821F
FILE: B821F_1
PAGE: 1

MH2

