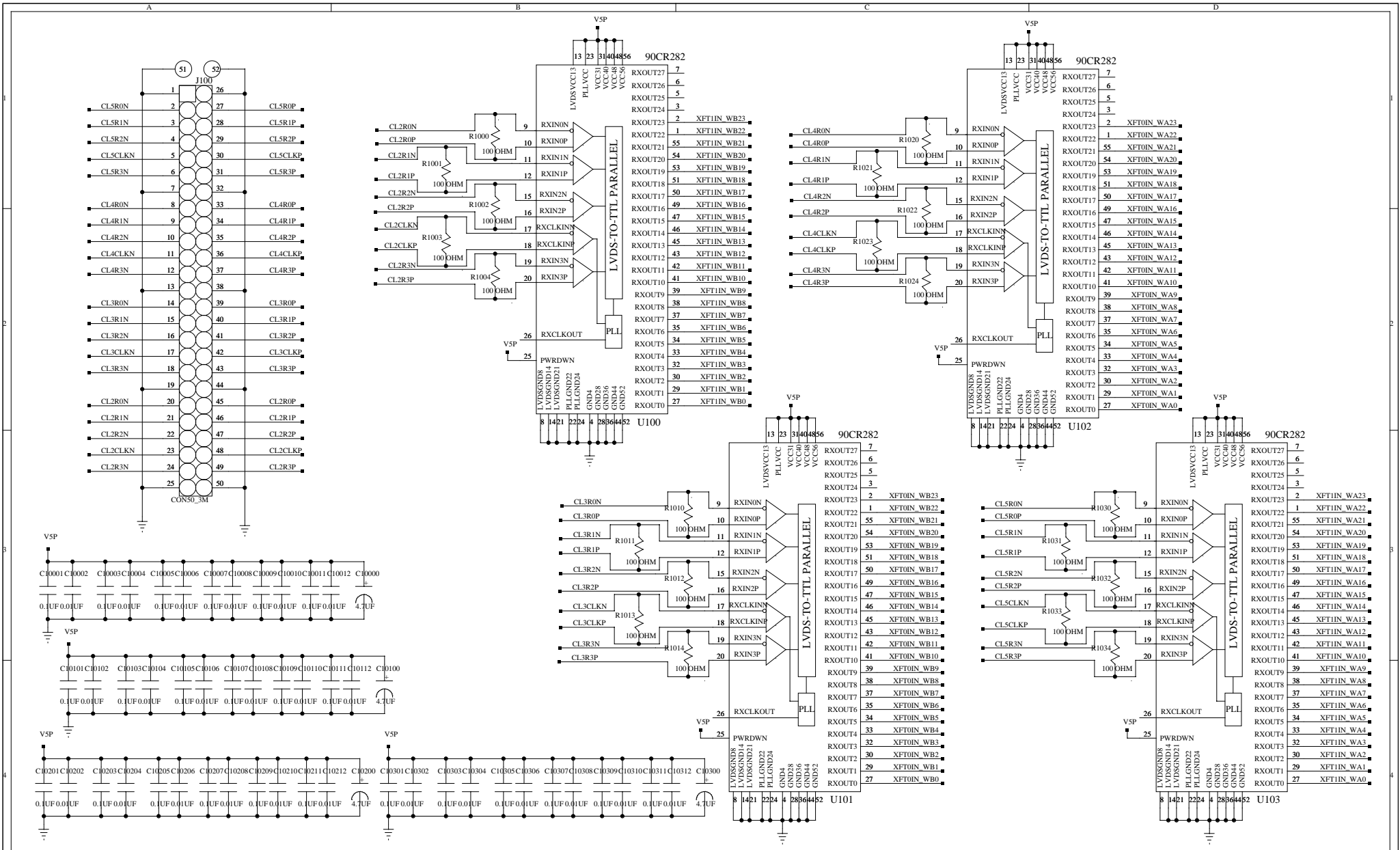


D703V
Datsync Transition Module
designed for Illinois
CDF XFT UPGRADE

ELECTRONICS LAB
PHYSICS DEPARTMENT
THE OHIO STATE UNIVERSITY
174 WEST 18TH AVE
COLUMBUS OHIO 43210

D703V 1
9-16-1999_14:00

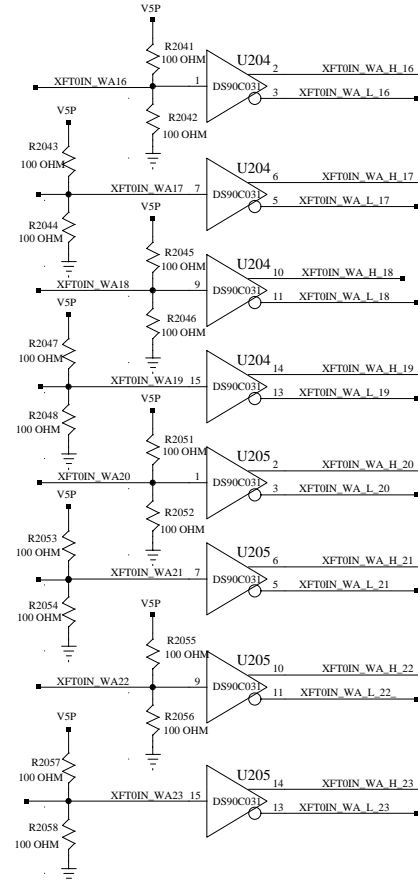
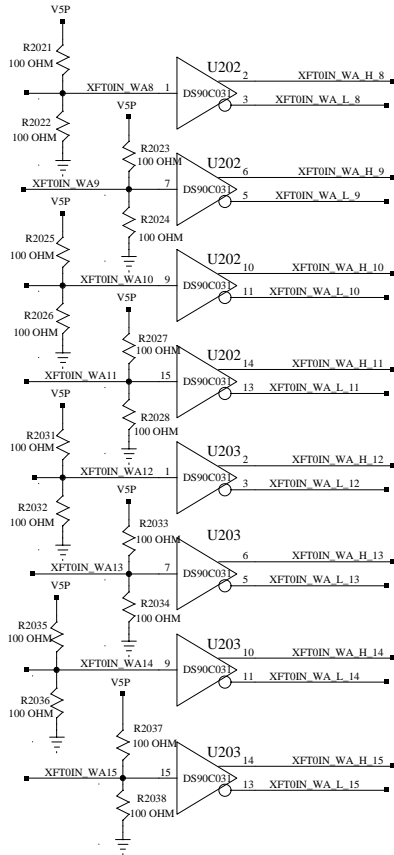
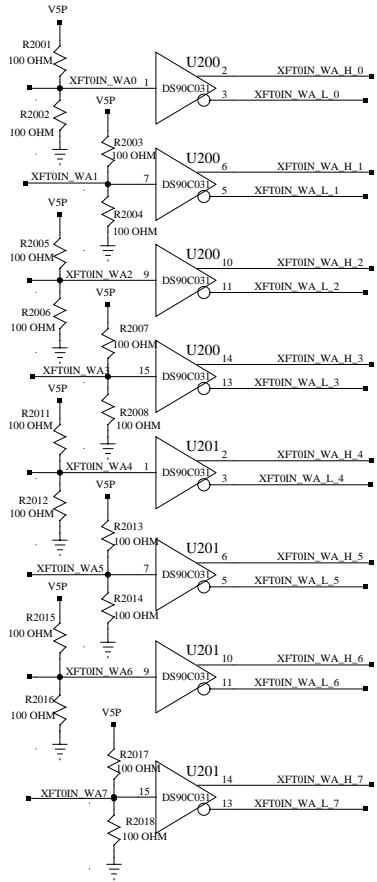


A

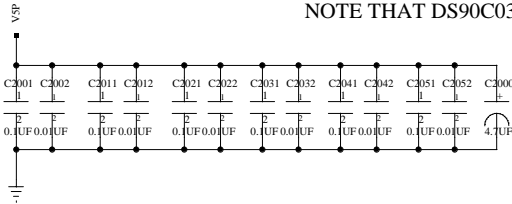
B

C

D



NOTE THAT DS90C031 HAS EN (pin 4) AND EN* (pin 12) TIED TO GROUND

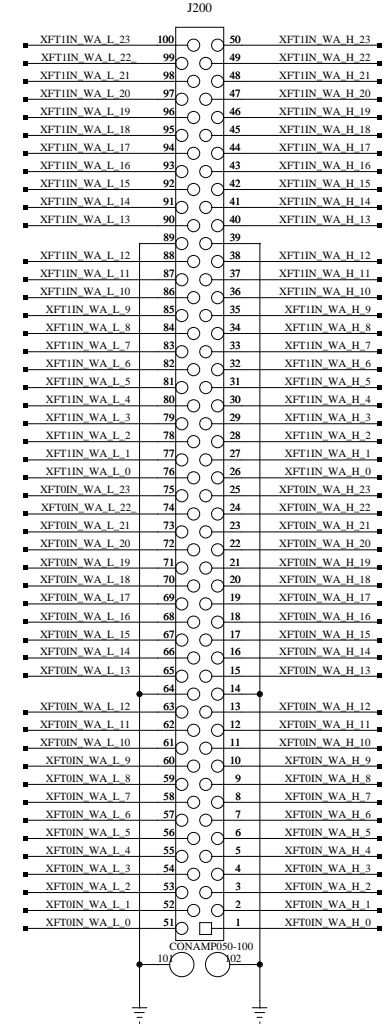
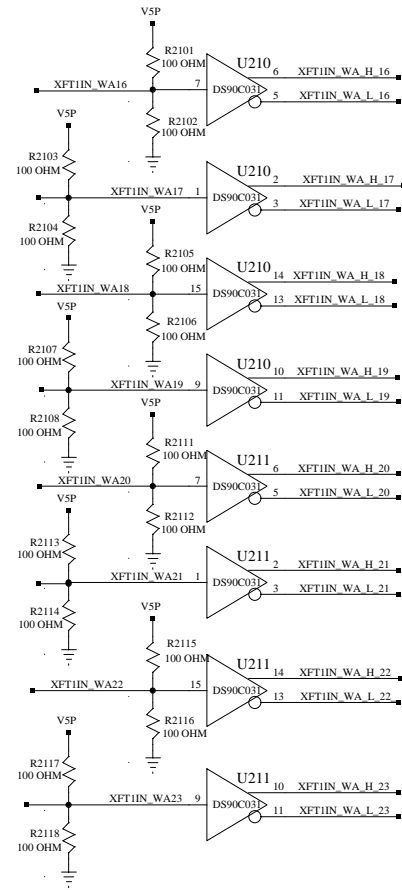
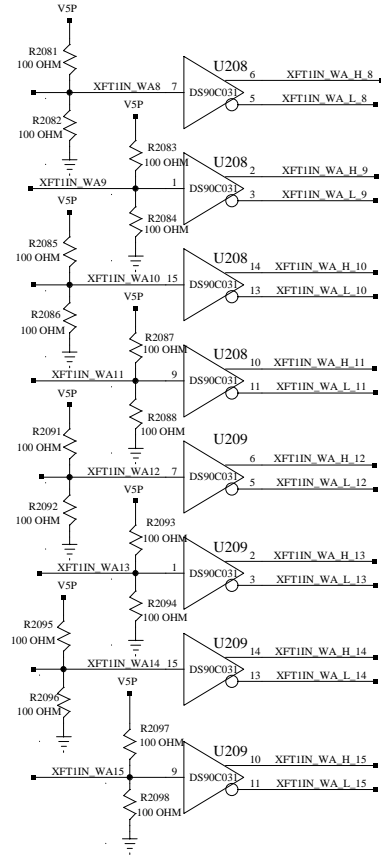
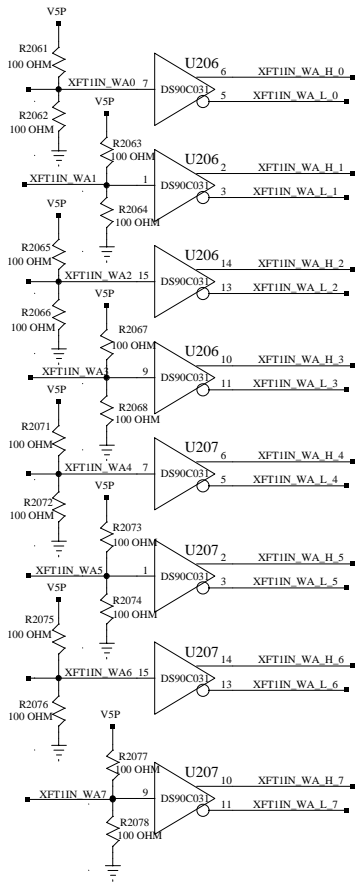


A

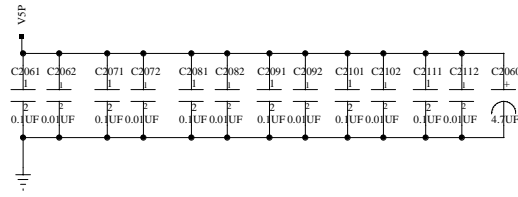
B

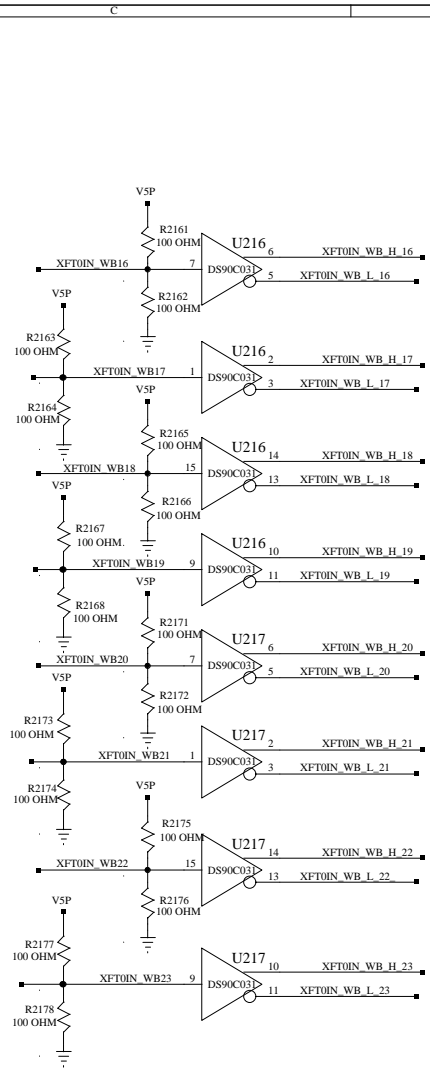
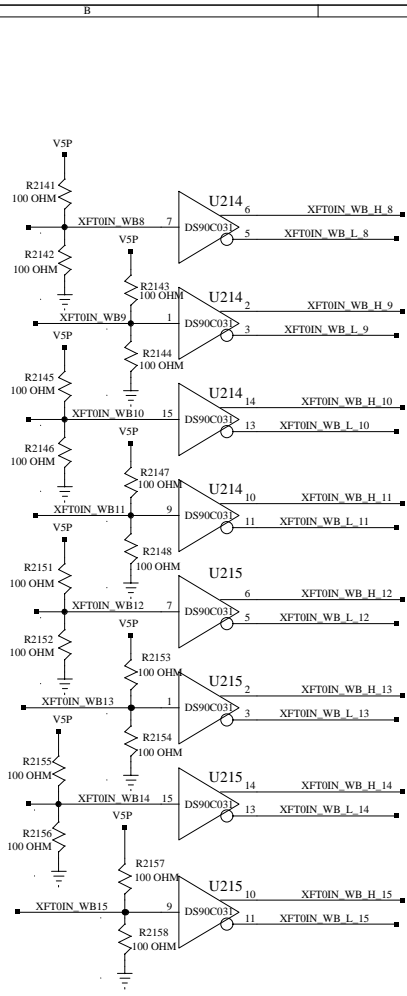
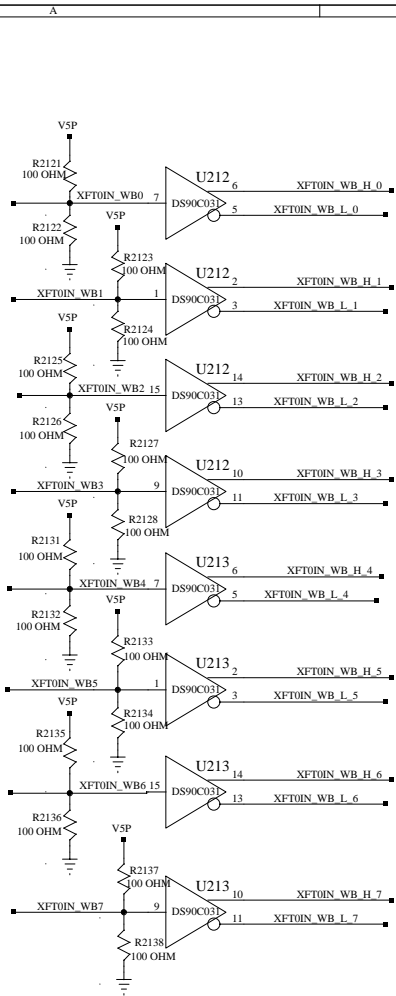
C

D

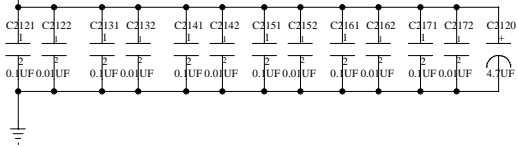


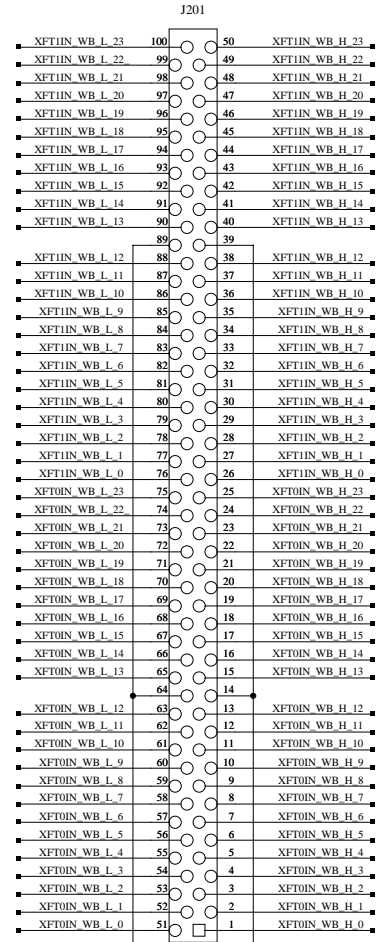
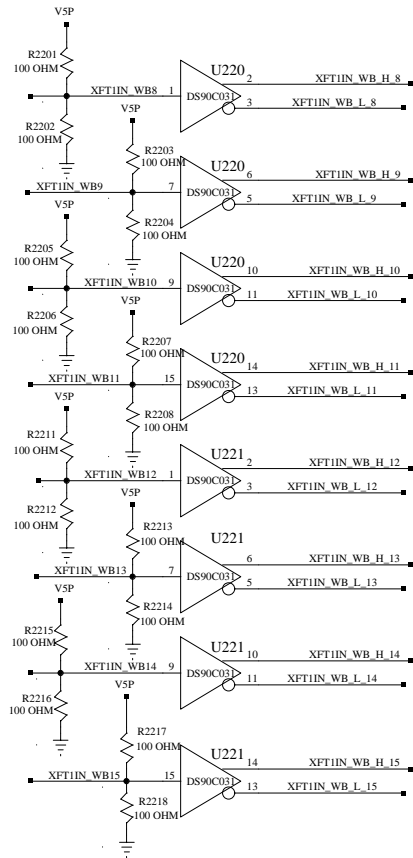
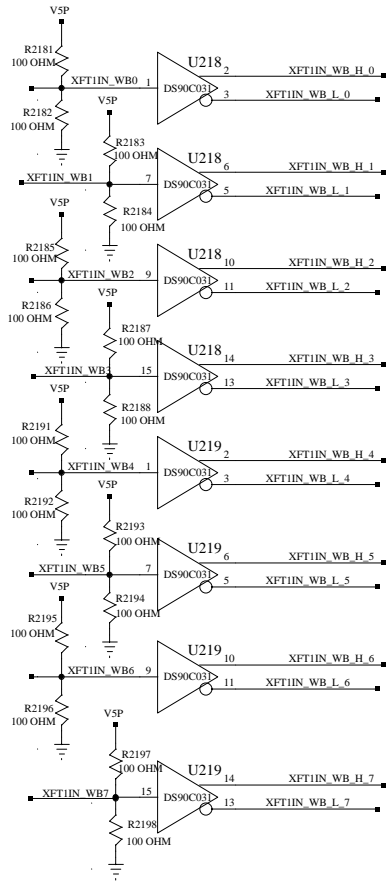
NOTE THAT DS90C031 HAS EN (pin 4) AND EN* (pin 12) TIED TO GROUND



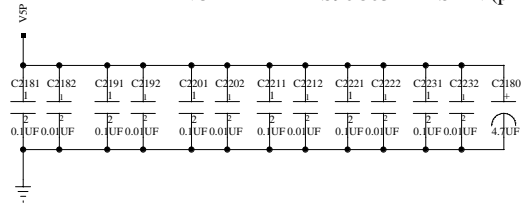


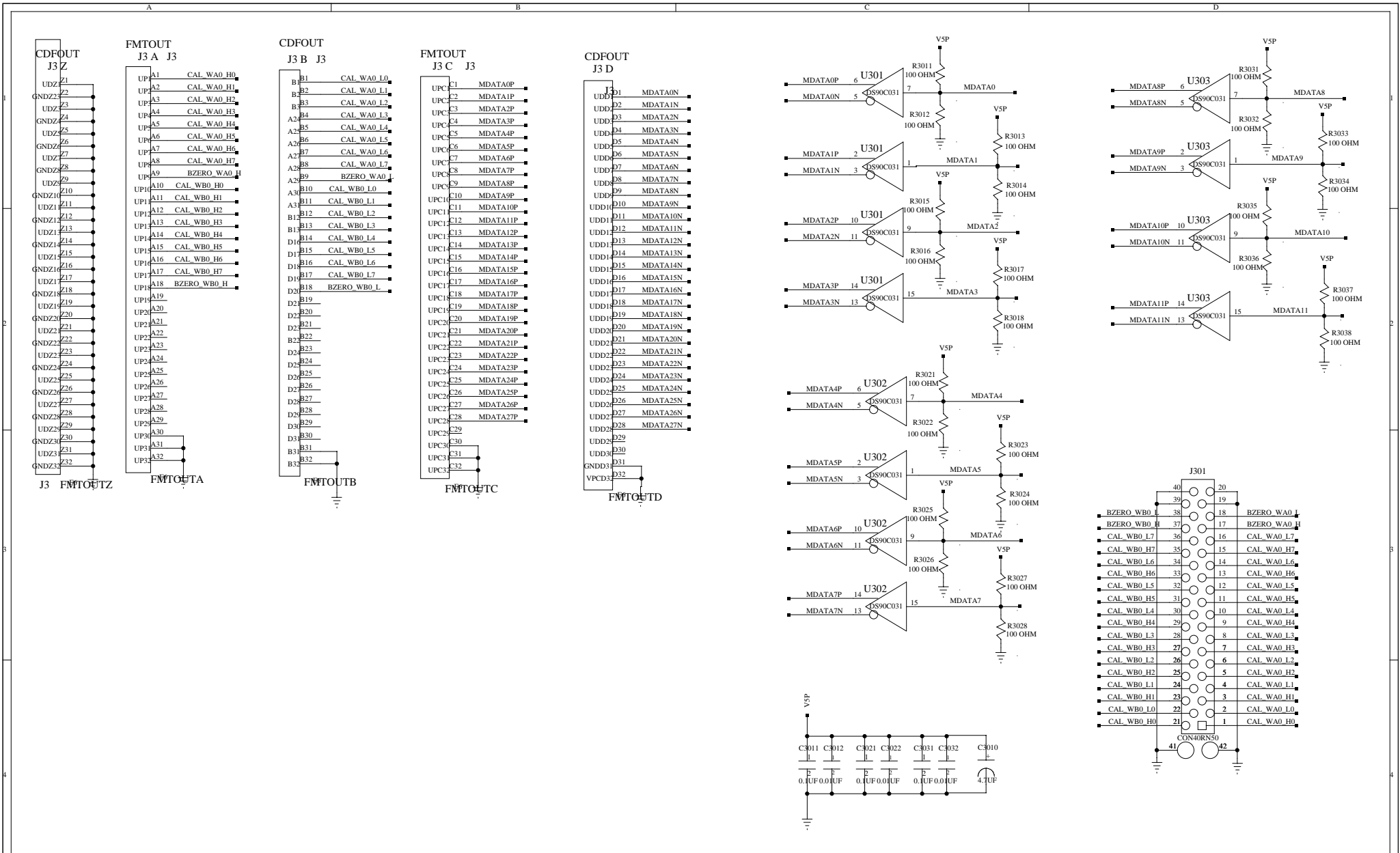
NOTE THAT DS90C031 HAS EN (pin 4) AND EN* (pin 12) TIED TO GROUND

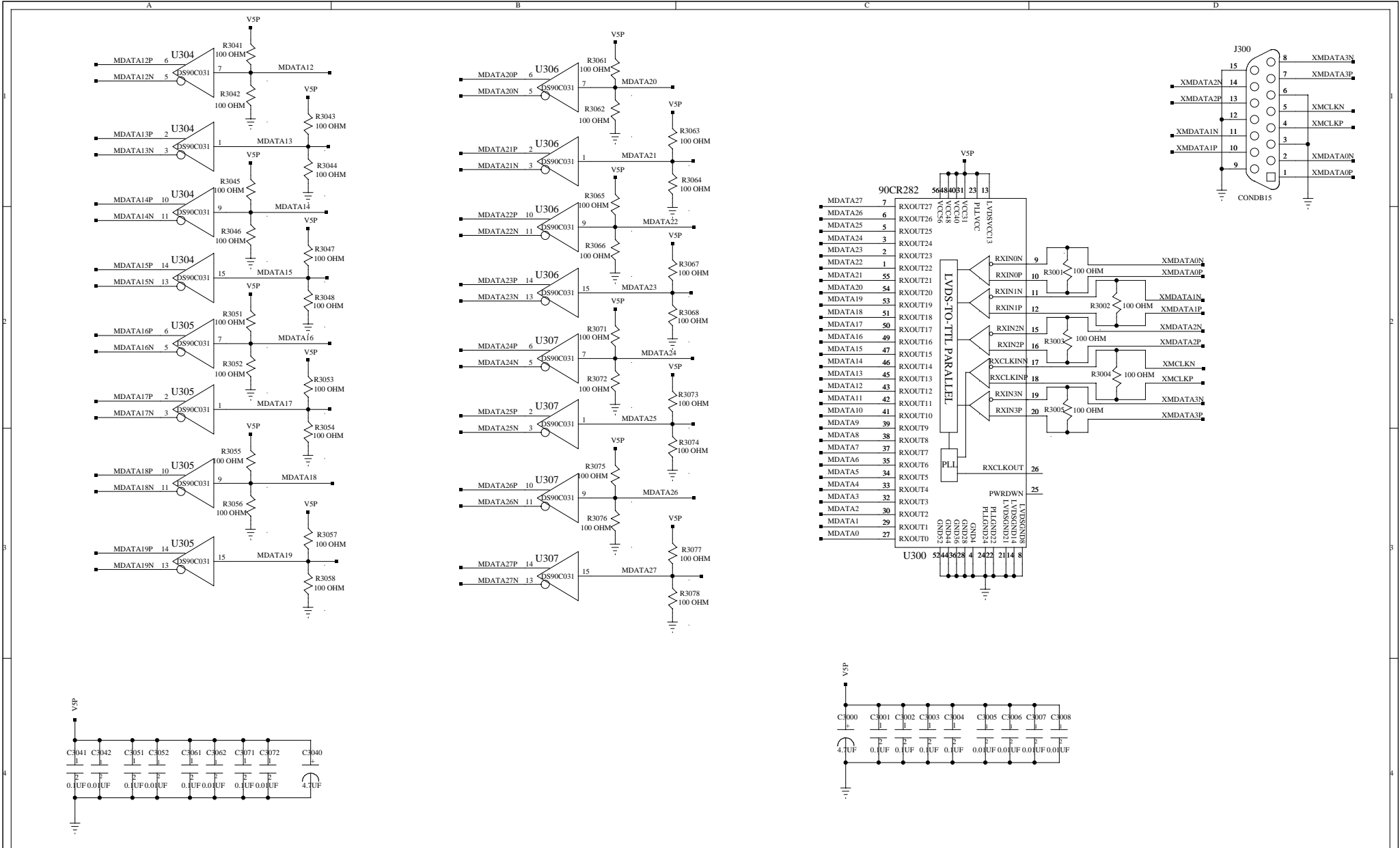


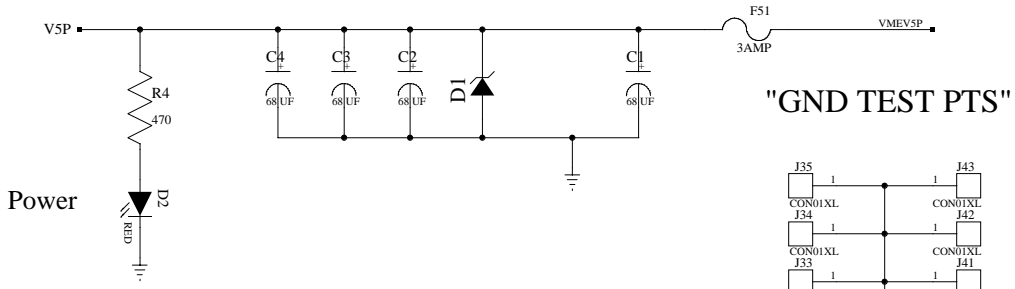
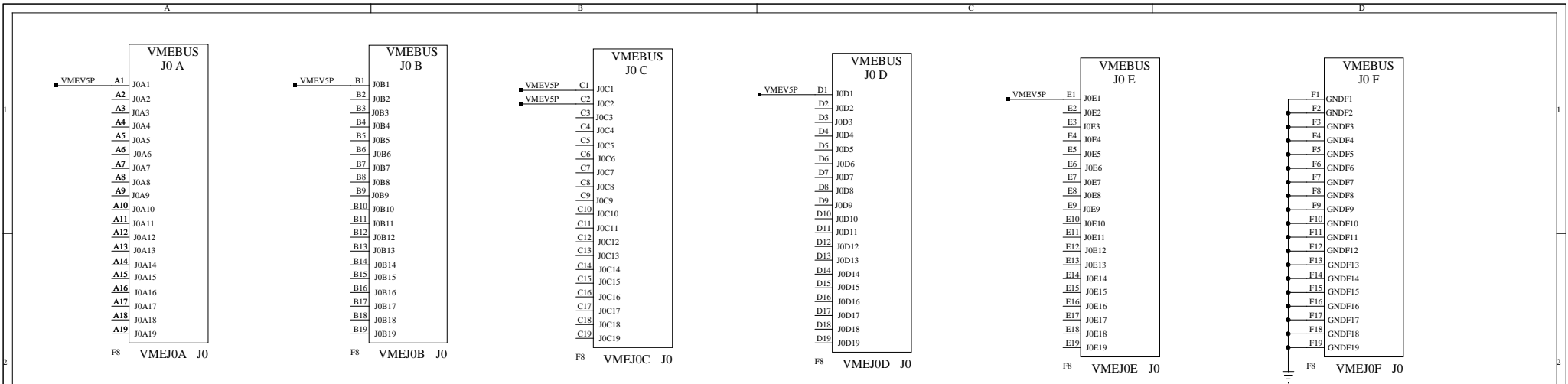


NOTE THAT DS90C031 HAS EN (pin 4) AND EN* (pin 12) TIED TO GROUND

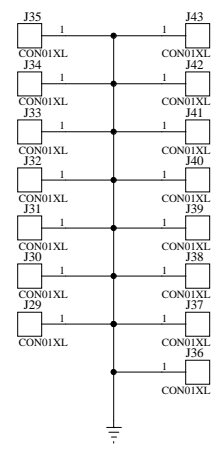




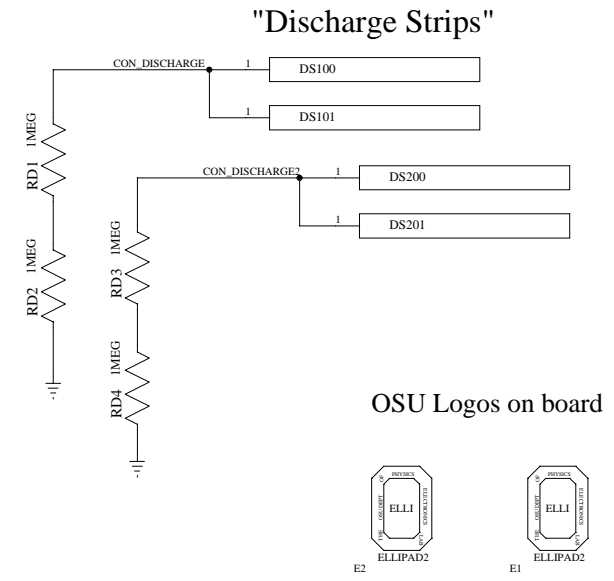
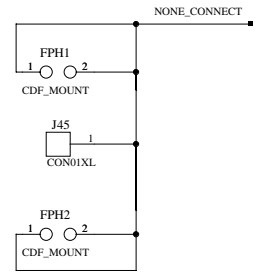




"GND TEST PTS"



Front Panel Mounting Holes



OSU Logos on board

