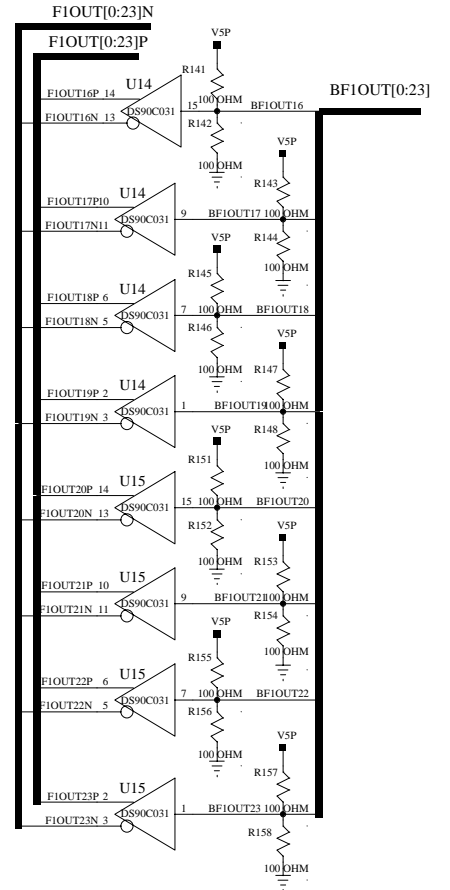
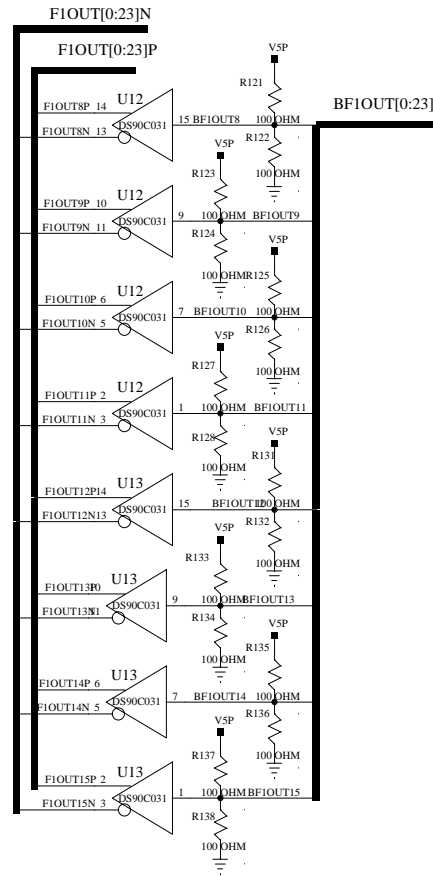
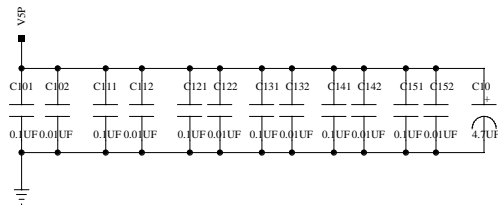
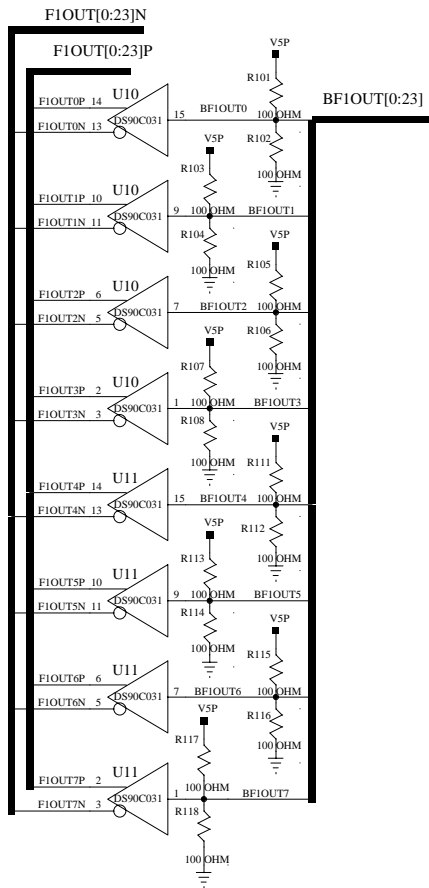
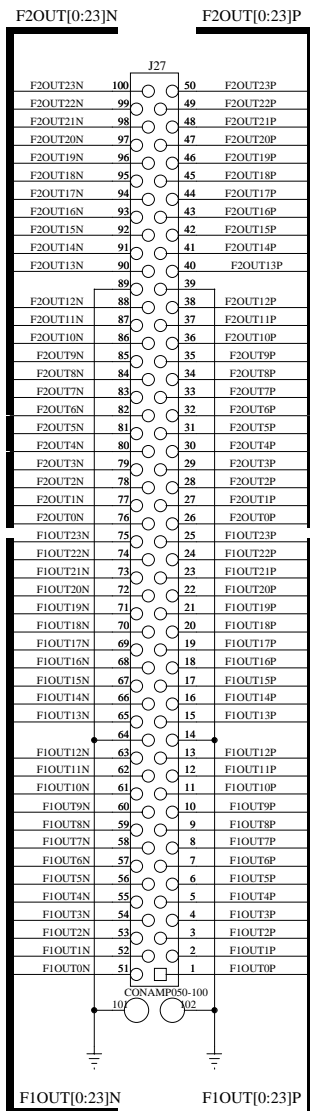


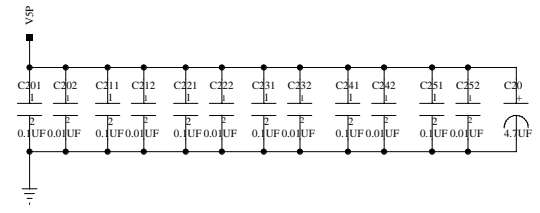
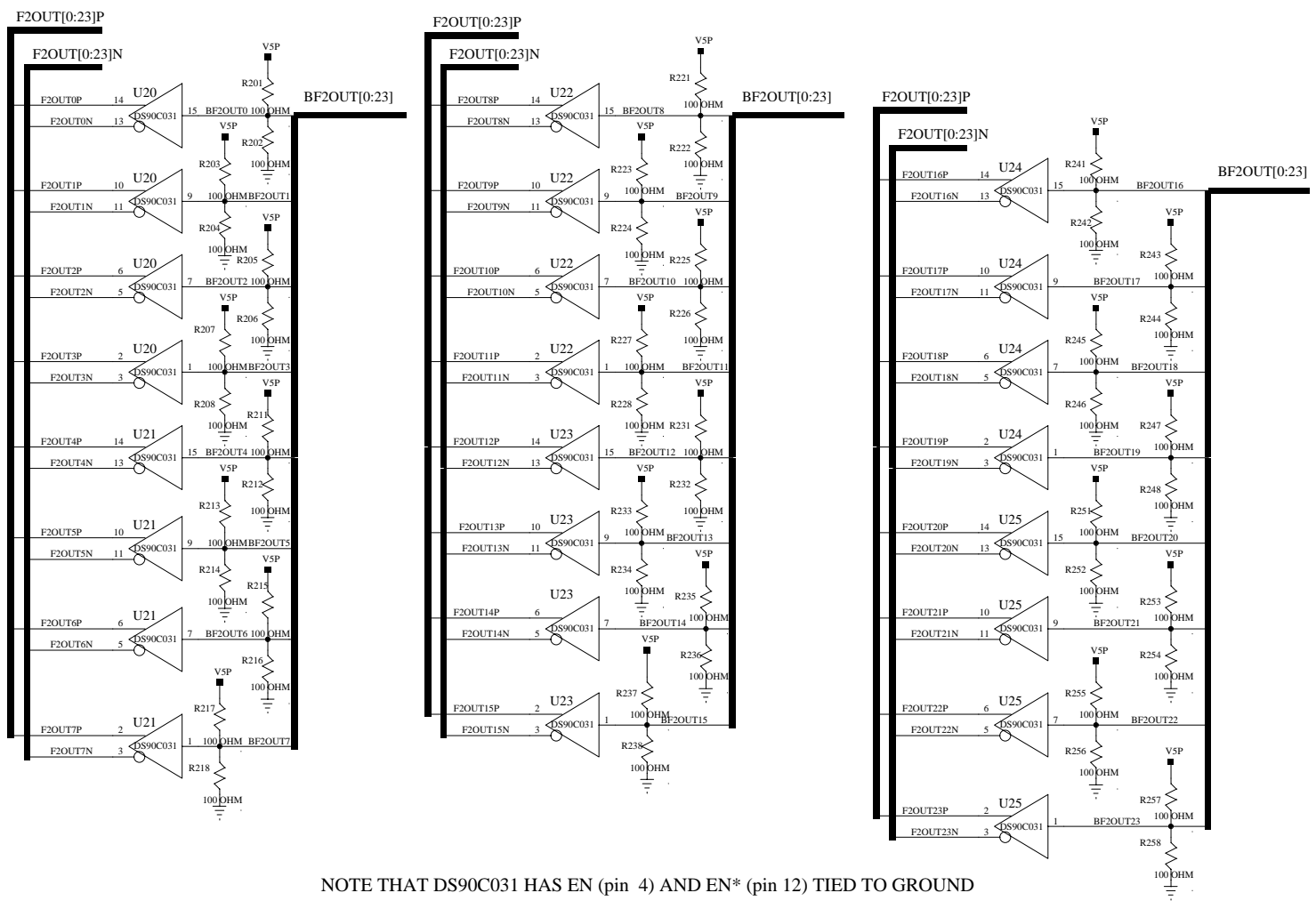
D703T
Front Exit Transition Card, version 2
CDF XFT UPGRADE

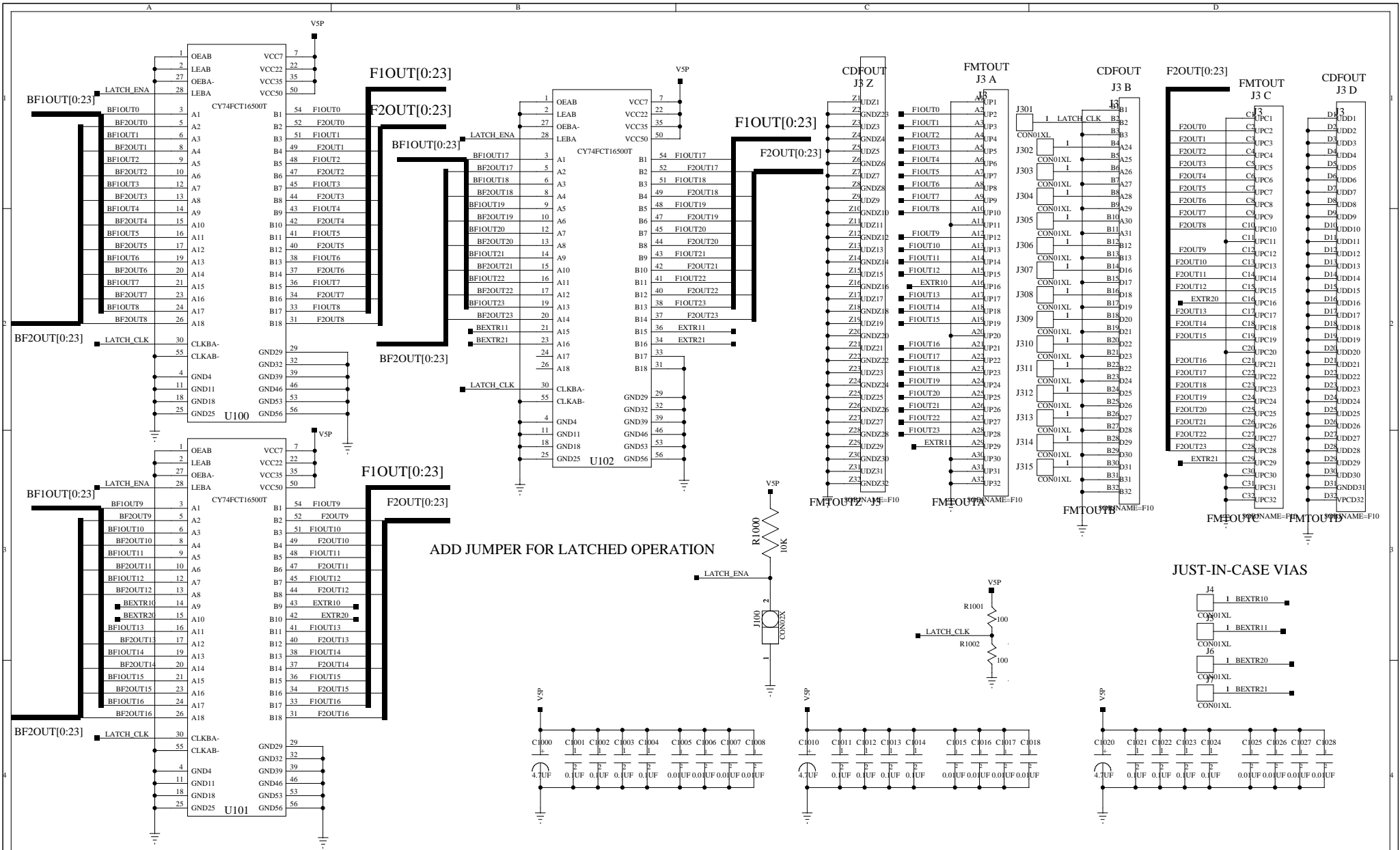
ELECTRONICS LAB
PHYSICS DEPARTMENT
THE OHIO STATE UNIVERSITY
174 WEST 18TH AVE
COLUMBUS OHIO 43210

D703T 1
6-18-1999_13:56

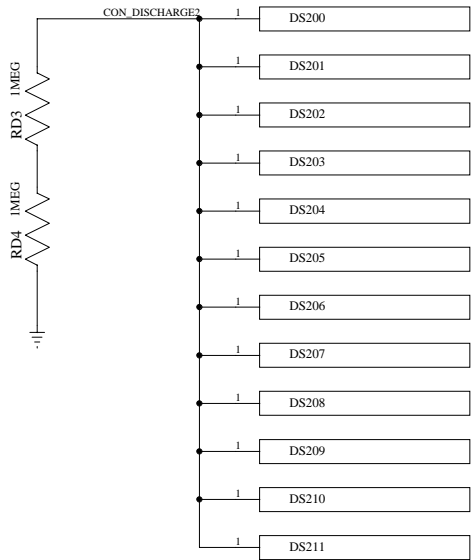
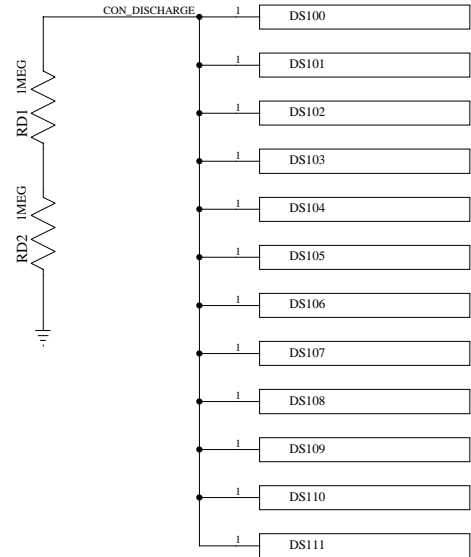


NOTE THAT DS90C031 HAS EN (pin 4) AND EN* (pin 12) TIED TO GROUND

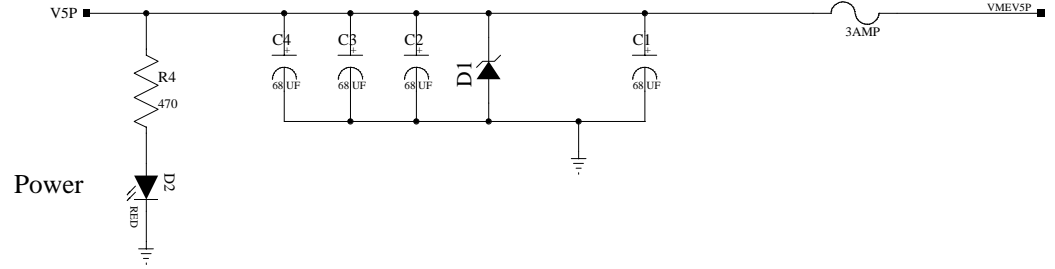
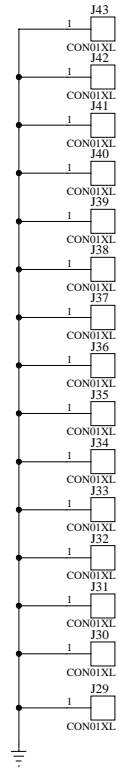




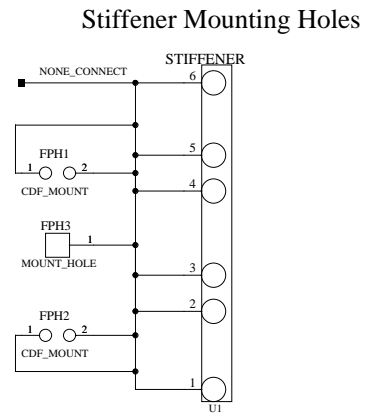
"Discharge Strips"



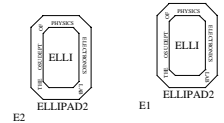
"GND TEST PTS"

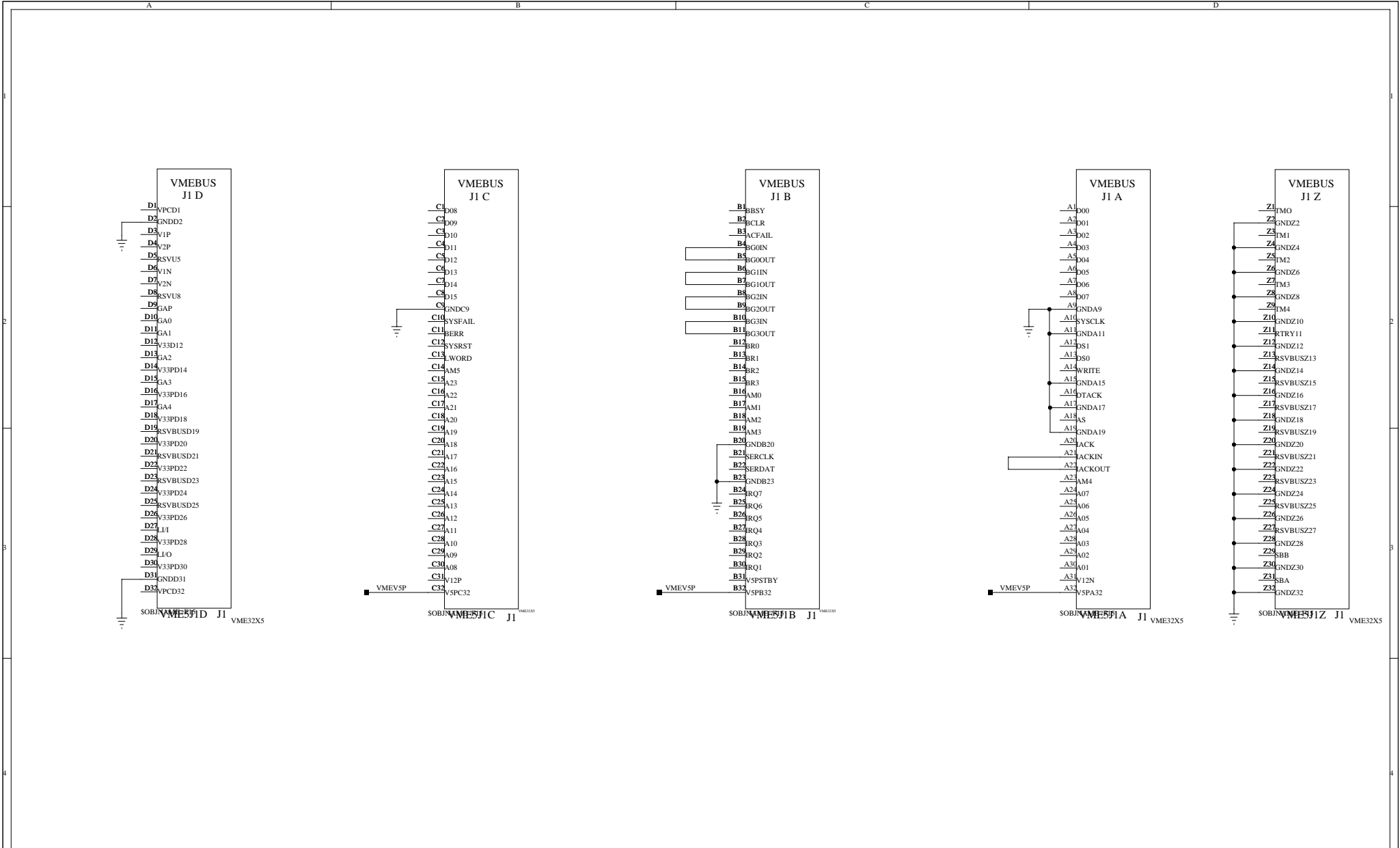


Front Panel Mounting Holes

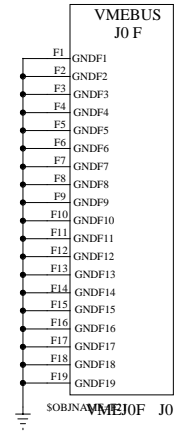
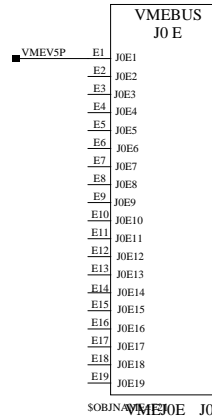
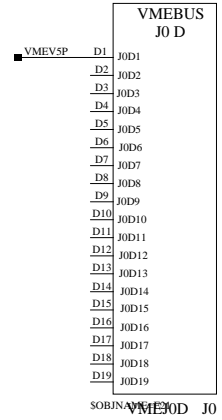
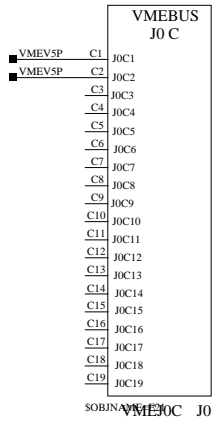
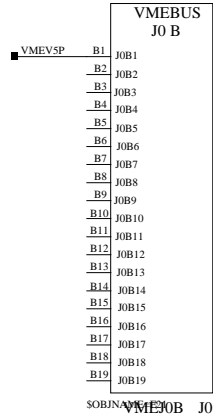
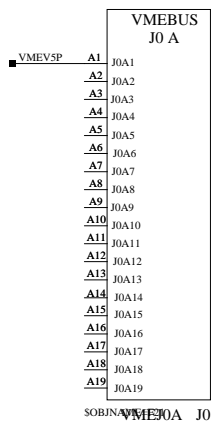


OSU Logo on board





A B C D



A B C D

