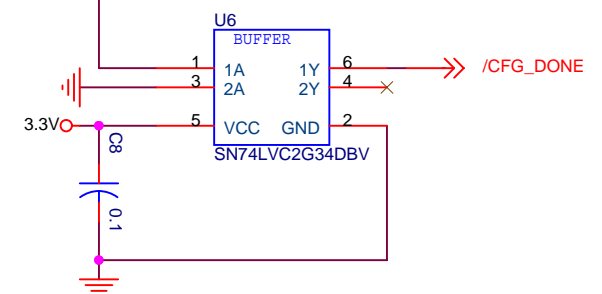


Replace DDU LINK_READY with CCB Ready (C_RDY)

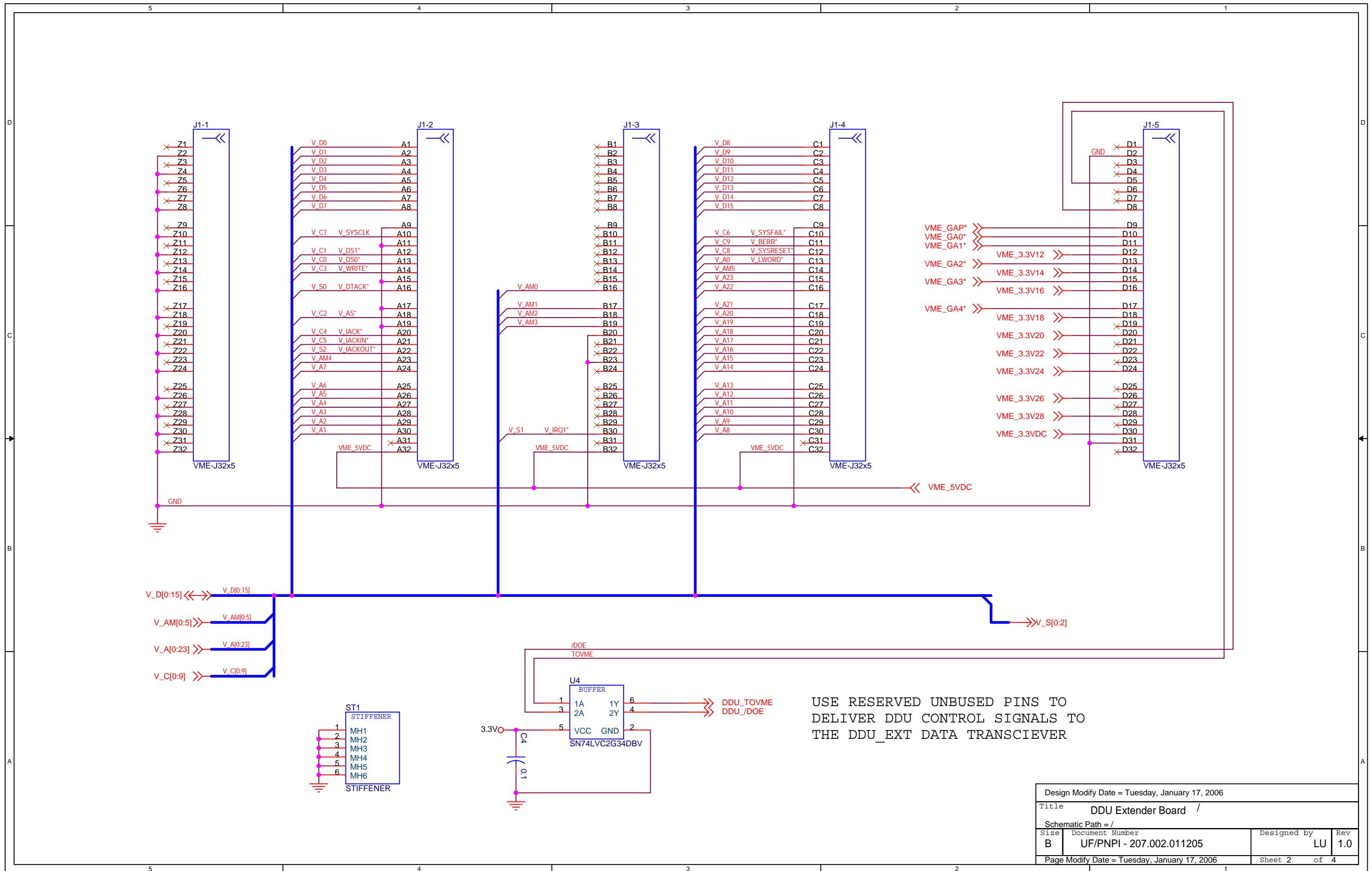
Replace DDU STOP_DATA with CCB Locked (C_LCKD)

For /CFG_DONE to be available for the DDU Extender make a wire jumper on DDU board from pin U36.12 (BRD_READY, active negative) to pins on the /EN_CCB trace: to U9/U14/U18/U23.12, or to U35.A3, or to U2.DG10, or to U34.1

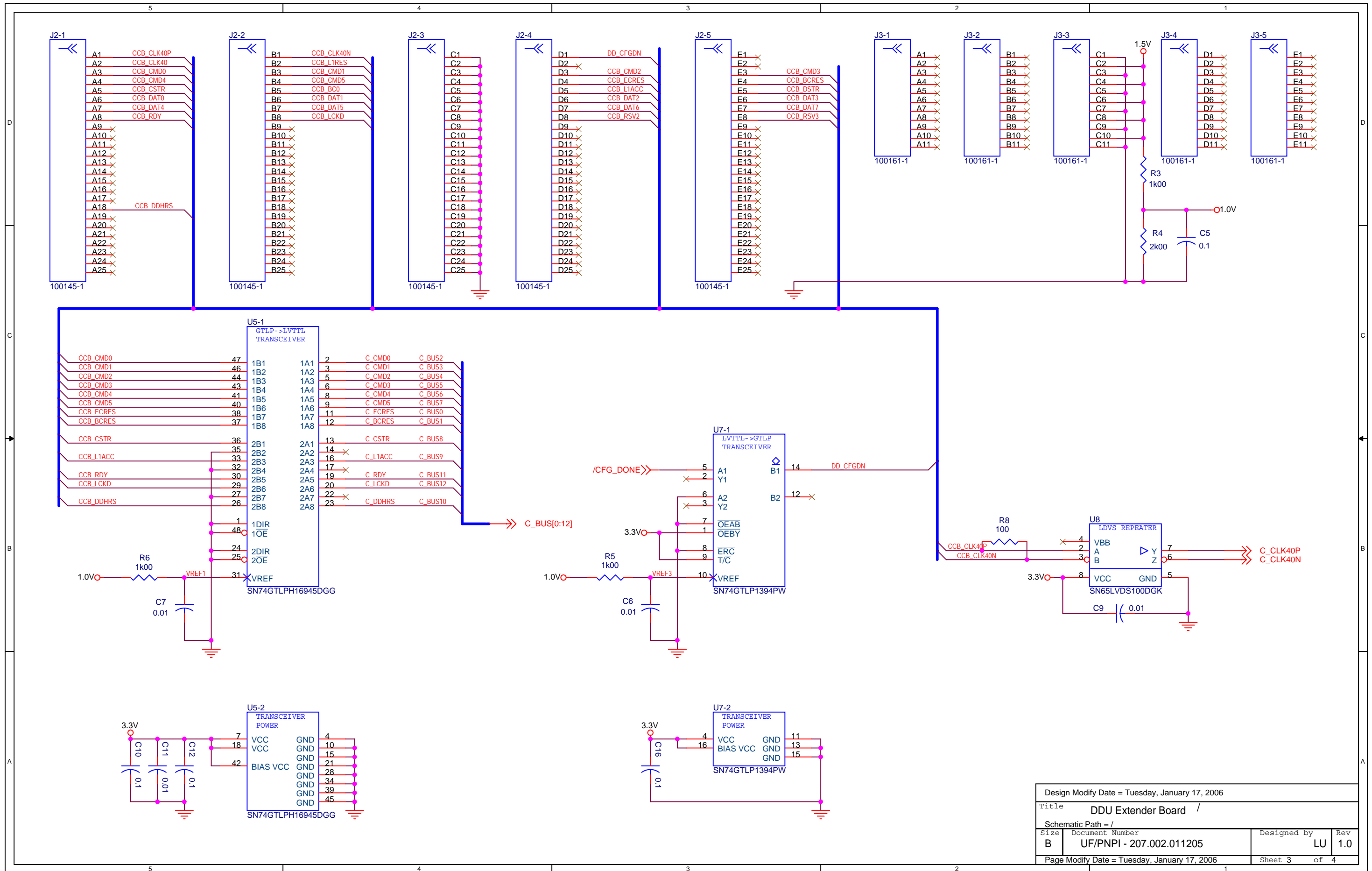
TF_BACKPLANE to DDU DELAY is
 (2.1 + 0.9) ns min and
 (5.3 + 2.9) ns max



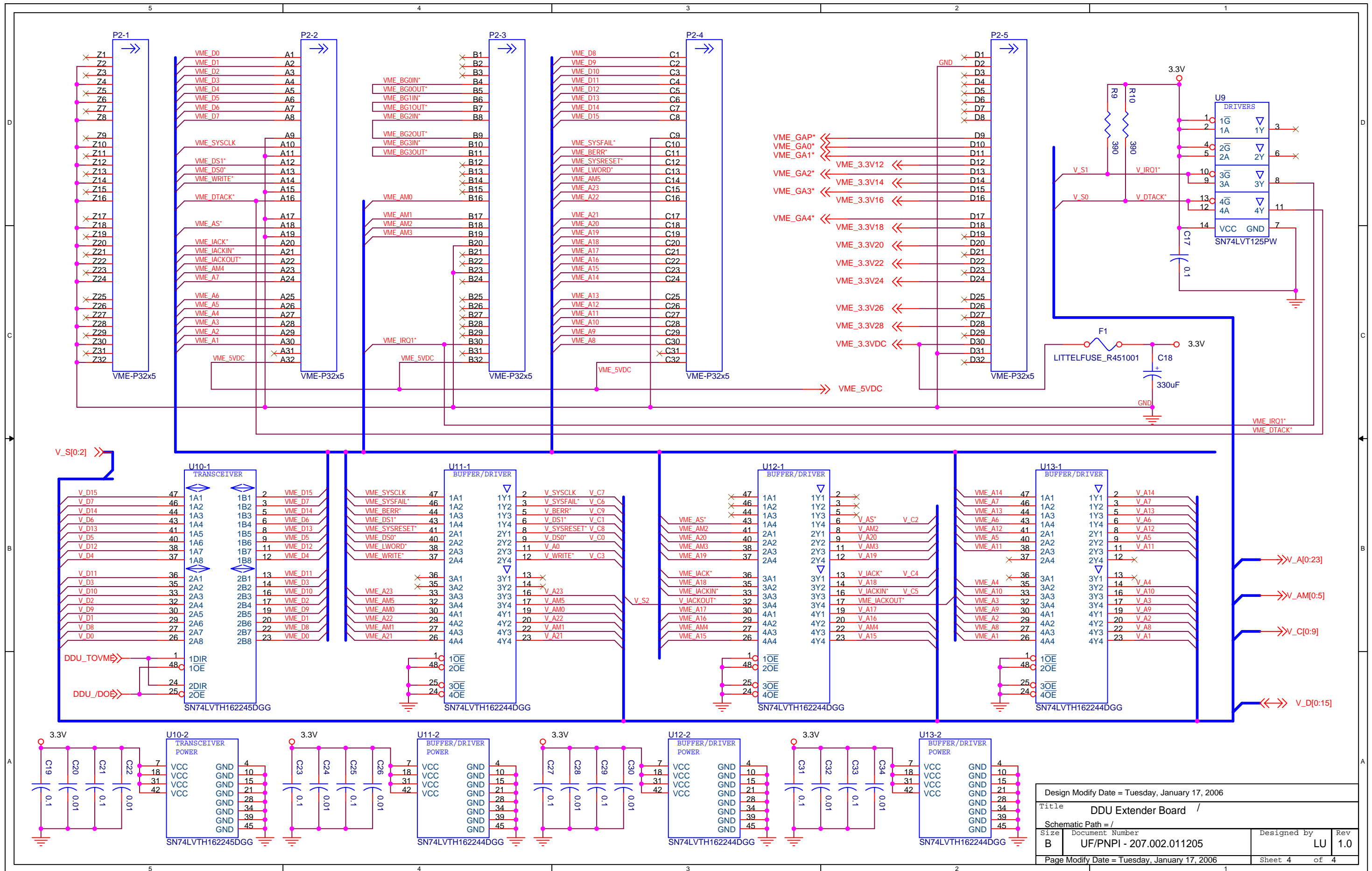
Design Modify Date = Tuesday, January 17, 2006			
Title DDU Extender Board /			
Schematic Path = /			
Size	Document Number	Designed by	Rev
B	UF/PNPI - 207.002.011205	LU	1.0
Page Modify Date = Tuesday, January 17, 2006			Sheet 1 of 4



Design Modify Date = Tuesday, January 17, 2006			
Title DDU Extender Board /			
Schematic Path = /			
Size	Document Number	Designed by	Rev
B	UF/PNPI - 207.002.011205	LU	1.0
Page Modify Date = Tuesday, January 17, 2006		Sheet 2 of 4	



Design Modify Date = Tuesday, January 17, 2006			
Title DDU Extender Board /			
Schematic Path = /			
Size	Document Number	Designed by	Rev
B	UF/PNPI - 207.002.011205	LU	1.0
Page Modify Date = Tuesday, January 17, 2006			Sheet 3 of 4



Design Modify Date = Tuesday, January 17, 2006	
Title DDU Extender Board /	
Schematic Path = /	
Size B	Document Number UF/PNPI - 207.002.011205
Designed by LU	Rev 1.0
Page Modify Date = Tuesday, January 17, 2006	
Sheet 4 of 4	