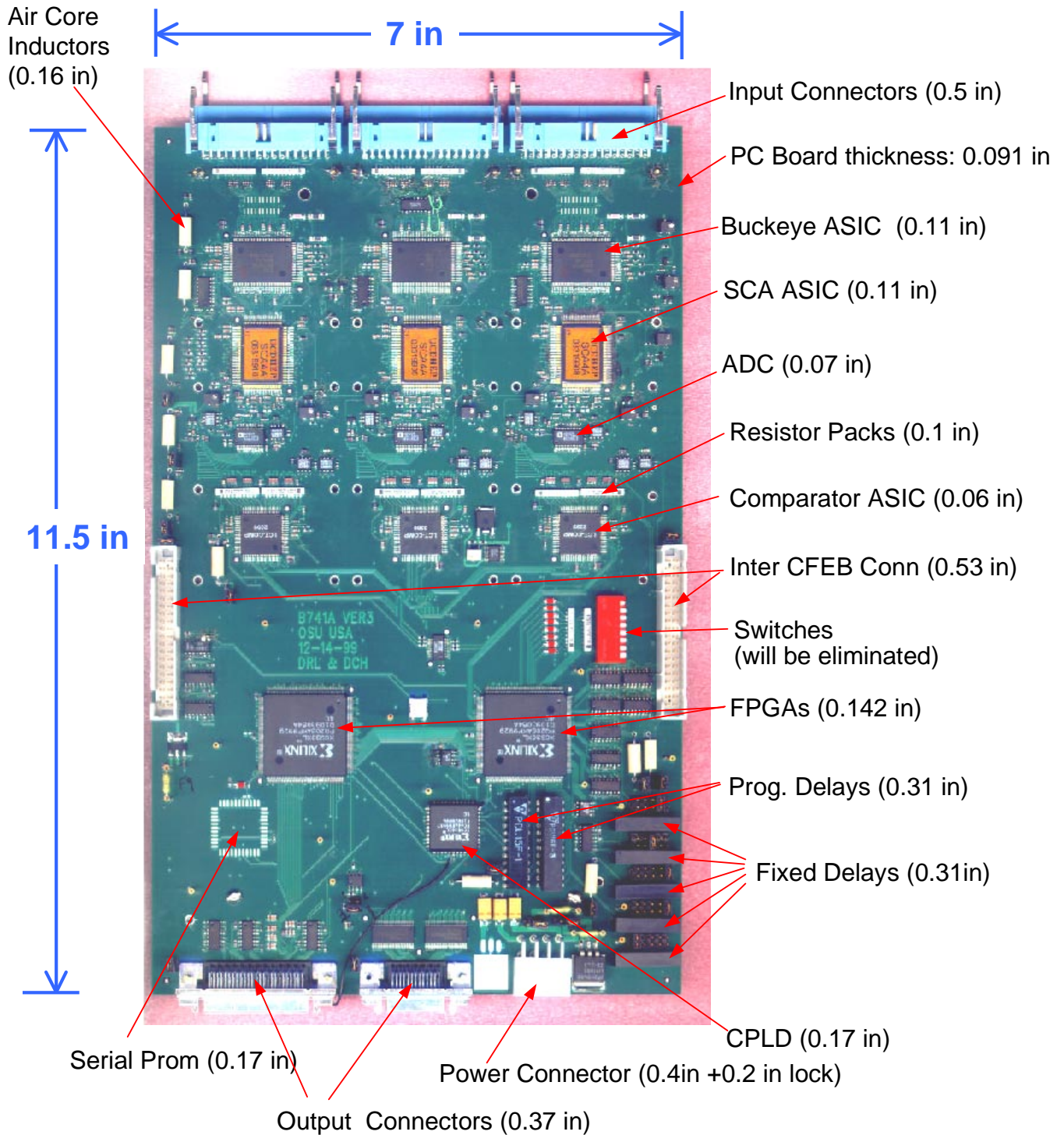
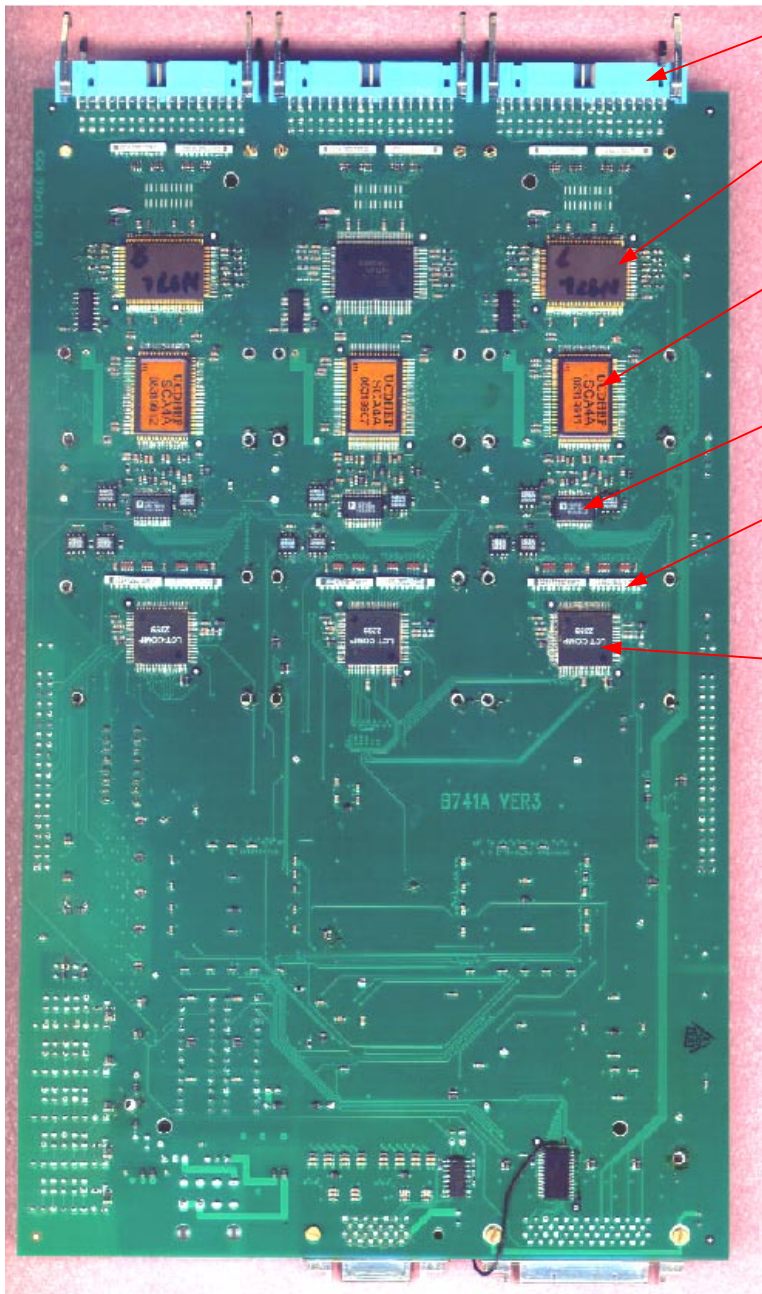


Cathode Front-end Board (Top)



Cathode Front-end Board (Bottom)

Minimum Standoff height: 0.625 in



Input Connectors (0.5 in)

Buckeye ASIC (0.11 in)

SCA ASIC (0.11 in)

ADC (0.07 in)

Resistor Packs (0.1 in)

Comparator ASIC (0.06 in)