

FEMALE SOCKET CONNECTOR WITH 30μ INCHES GOLD .100" x .100" CENTERS



LR92984 E60980

PHYSICAL PROPERTIES

INSULATION MATERIAL: Glass filled thermoplastic rated UL 94V-0

COLOR: Blue

CONTACTS: Beryllium copper 30μ inches minimum gold over 50μ inches nickel in contact zone; tin/lead over nickel in termination area

ELECTRICAL PROPERTIES

CURRENT RATING: 1 Amp

INSULATION RESISTANCE: >1 x 10⁹ Ohms @ 500 VDC

DIELECTRIC STRENGTH: > 1000 VRMS at sea level

ENVIRONMENTAL PROPERTIES

TEMPERATURE RATING: -55°C TO 125°C

CABLE REQUIREMENTS

See Pages 108-120

MATING CONNECTORS

HEADERS: See pages 24-42

MALE IDC: See pages 45-47

ACCESSORIES

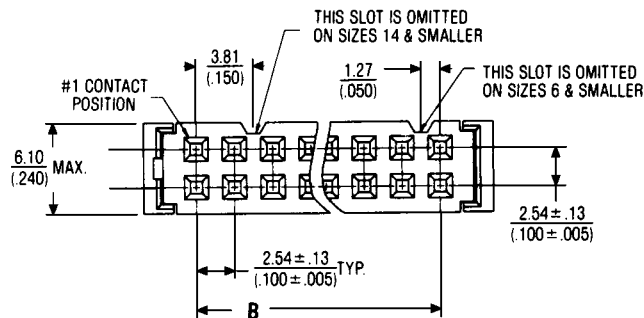
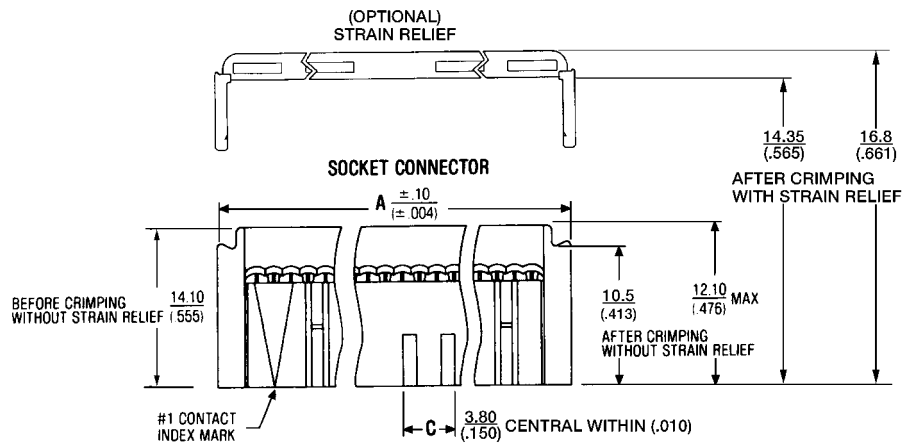
POLARIZATION KEY, PULL TAB & STRAIN RELIEF: See page 14

APPLICATION TOOLING

HAND TOOL: 779-2100
use Die 779-2151

BENCH PRESS (MANUAL): 779-3200
use Platen 779-3130
use Base Plate 779-3151

BENCH PRESS (PNEUMATIC): 779-3500XT
use Platen 779-3130
use Base Plate 779-3151



Ordering Information

SOCKET CONN.	SOCKET CONN. W/ STRAIN RELIEF	CATALOG NUMBERS			NO. OF POS.	DIMENSIONS IN MM (INCHES)		
		POLARIZED SOCKET CONN.	POLARIZED SOCKET W/ STRAIN RELIEF			A	B	C
622-0400	622-0401	622-0430	622-0441	04	9.58 (.377)	2.54 (.100)	1.90 (.075)	
622-0600	622-0601	622-0630	622-0641	06	12.12 (.477)	5.08 (.200)	1.90 (.075)	
622-1000	622-1001	622-1030	622-1041	10	17.20 (.677)	10.16 (.400)	3.20 (.126)	
622-1200	622-1201	622-1230	622-1241	12	19.74 (.777)	12.70 (.500)	3.80 (.150)	
622-1400	622-1401	622-1430	622-1441	14	22.28 (.877)	15.24 (.600)	3.80 (.150)	
622-1600	622-1601	622-1630	622-1641	16	24.81 (.977)	17.78 (.700)	3.80 (.150)	
622-2000	622-2001	622-2030	622-2041	20	29.90 (1.177)	22.86 (.900)	3.80 (.150)	
622-2400	622-2401	622-2430	622-2441	24	34.96 (1.377)	27.94 (1.100)	3.80 (.150)	
622-2600	622-2601	622-2630	622-2641	26	37.52 (1.477)	30.48 (1.200)	3.80 (.150)	
622-3000	622-3001	622-3030	622-3041	30	42.40 (1.677)	35.56 (1.400)	3.80 (.150)	
622-3400	622-3401	622-3430	622-3441	34	47.68 (1.877)	40.64 (1.600)	3.80 (.150)	
622-3600	622-3601	622-3630	622-3641	36	50.22 (1.977)	43.18 (1.700)	3.80 (.150)	
622-4000	622-4001	622-4030	622-4041	40	55.30 (2.177)	48.26 (1.900)	3.80 (.150)	
622-4400	622-4401	622-4430	622-4441	44	60.38 (2.377)	53.34 (2.100)	3.80 (.150)	
622-5000	622-5001	622-5030	622-5041	50	68.00 (2.677)	60.95 (2.400)	3.80 (.150)	
622-6000	622-6001	622-6030	622-6041	60	80.70 (3.177)	73.66 (2.900)	3.80 (.150)	
622-6400	622-6401	622-6430	622-6441	64	85.78 (3.377)	78.74 (3.100)	3.80 (.150)	

FEMALE SOCKET CONNECTOR WITH 15μ INCHES GOLD

.100" x .100" CENTERS



LR92984 E60980

PHYSICAL PROPERTIES

INSULATION MATERIAL: Glass filled thermoplastic rated UL 94V-0

COLOR: Black

CONTACTS: Phosphor bronze 15μ inches minimum gold over 50μ inches nickel in contact zone; tin/lead over nickel in termination area

ELECTRICAL PROPERTIES

CURRENT RATING: 1 Amp

INSULATION RESISTANCE: >1 x 10⁹ Ohms @ 500 VDC

DIELECTRIC STRENGTH: > 1000 VRMS at sea level

ENVIRONMENTAL PROPERTIES

TEMPERATURE RATING: -55°C TO 125°C

CABLE REQUIREMENTS

See Page 108-120

MATING CONNECTORS

HEADERS: See pages 24-42

MALE IDC: See pages 45-47

ACCESSORIES

POLARIZATION KEY, PULL TAB & STRAIN RELIEF: See page 14

APPLICATION TOOLING

HAND TOOL: 779-2100

use Die 779-2151

BENCH PRESS (MANUAL): 779-3200

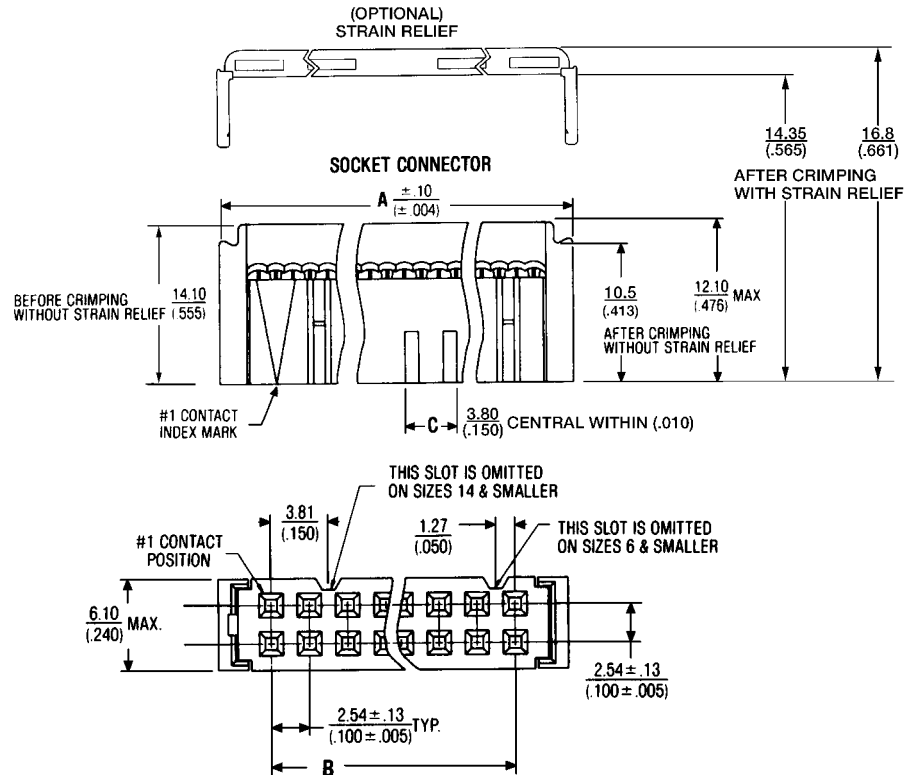
use Platen 779-3130

use Base Plate 779-3151

BENCH PRESS (PNEUMATIC): 779-3500XT

use Platen 779-3130

use Base Plate 779-3151



Ordering Information

SOCKET CONN.	SOCKET CONN. W/ STRAIN RELIEF	CATALOG NUMBERS			DIMENSIONS IN MM (INCHES)		
		POLARIZED SOCKET CONN.	POLARIZED SOCKET W/ STRAIN RELIEF	NO. OF POS.	A	B	C
636-1000	636-1001	636-1030	636-1041	10	17.20 (.677)	10.16 (.400)	3.20 (.126)
622-1200	622-1201	622-1230	622-1241	12	19.74 (.777)	12.70 (.500)	3.80 (.150)
636-1400	636-1401	636-1430	636-1441	14	22.28 (.877)	15.24 (.600)	3.80 (.150)
636-1600	636-1601	636-1630	636-1641	16	24.81 (.977)	17.78 (.700)	3.80 (.150)
636-2000	636-2001	636-2030	636-2041	20	29.90 (1.177)	22.86 (.900)	3.80 (.150)
636-2400	636-2401	636-2430	636-2441	24	34.96 (1.377)	27.94 (1.100)	3.80 (.150)
636-2600	636-2601	636-2630	636-2641	26	37.52 (1.477)	30.48 (1.200)	3.80 (.150)
636-3000	636-3001	636-3030	636-3041	30	42.40 (1.677)	35.56 (1.400)	3.80 (.150)
636-3400	636-3401	636-3430	636-3441	34	47.68 (1.877)	40.64 (1.600)	3.80 (.150)
636-4000	636-4001	636-4030	636-4041	40	55.30 (2.177)	48.26 (1.900)	3.80 (.150)
636-5000	636-5001	636-5030	636-5041	50	68.00 (2.677)	60.95 (2.400)	3.80 (.150)
636-6000	636-6001	636-6030	636-6041	60	80.70 (3.177)	73.66 (2.900)	3.80 (.150)
636-6400	636-6401	636-6430	636-6441	64	85.78 (3.377)	78.74 (3.100)	3.80 (.150)

FEMALE SOCKET CONNECTOR WITH "DAISY CHAIN" STRAIN RELIEF

.100" x .100" CENTERS



LR92984 E60980

PHYSICAL PROPERTIES

INSULATION MATERIAL: Glass filled thermoplastic rated UL 94V-0

COLOR: Blue

CONTACT MATERIAL: Beryllium copper: 30μ inches minimum gold over 50μ inches nickel in contact zone; tin-lead over nickel in termination area

ELECTRICAL PROPERTIES

CURRENT RATING: 1 Amp

INSULATION RESISTANCE: >1 x 10⁹ Ohms @ 500 VDC

DIELECTRIC STRENGTH: >1000 VRMS @ sea level

ENVIRONMENTAL PROPERTIES

TEMPERATURE RATING: -55°C TO 125°C

CABLE REQUIREMENTS

See Pages 108-120

MATING CONNECTORS

HEADERS: See pages 24-42

MALE IDC: See pages 45-47

ACCESSORIES

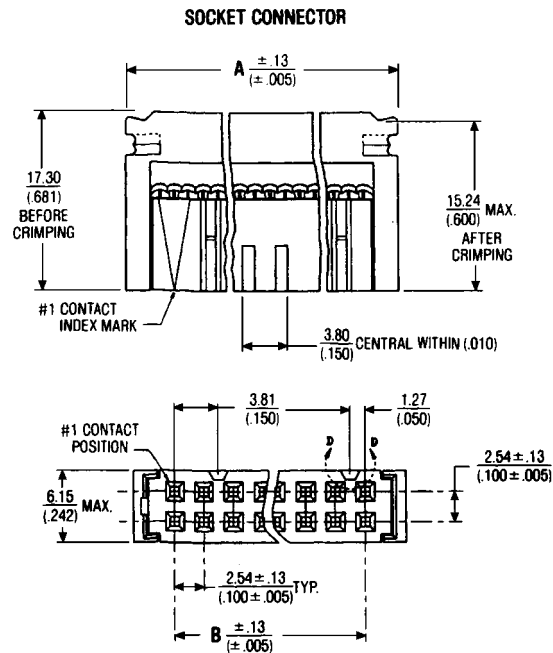
POLARIZING KEY: See page 14

APPLICATION TOOLING

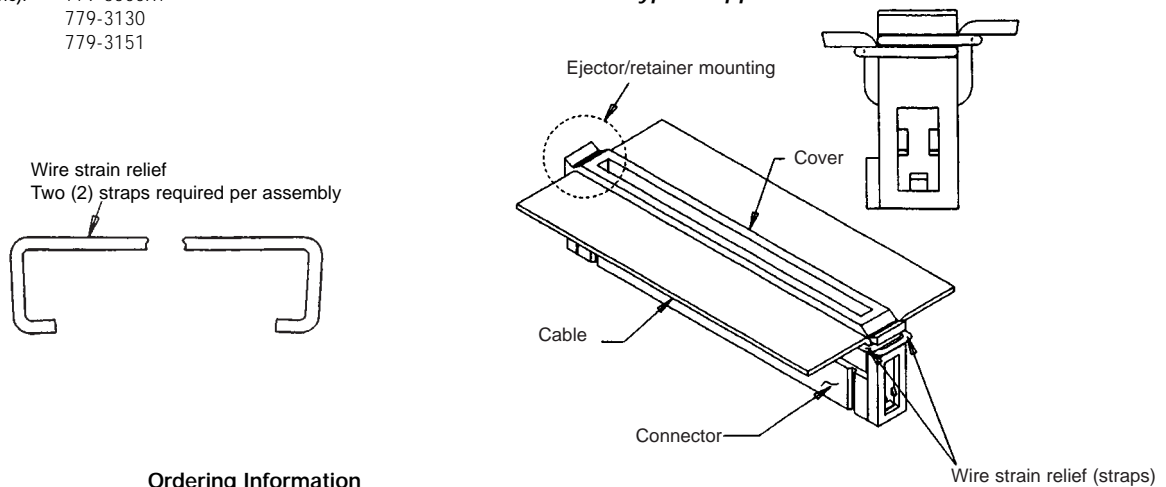
HAND TOOL: 779-2100
use Die 779-2151

BENCH PRESS (MANUAL): 779-3200
use Platen 779-3130
use Base Plate 779-3151

BENCH PRESS (PNEUMATIC): 779-3500XT
use Platen 779-3130
use Base Plate 779-3151



Typical Application



Ordering Information

CATALOG NUMBERS			DIMENSIONS IN MM (INCHES)	
SOCKET CONN.	POLARIZED SOCKET CONN.	NO. OF POS.	A	B
622-4000DS	622-4030DS	40	55.40 (2.181)	48.26 (1.900)
622-5000DS	622-5030DS	50	68.10 (2.681)	60.95 (2.400)
622-6000DS	622-6030DS	60	80.80 (3.181)	73.66 (2.900)

FEMALE SOCKET CONNECTORS

.100" x .100" CENTERS



LR92984 E60980

PHYSICAL PROPERTIES

INSULATION MATERIAL: Glass reinforced thermoplastic rated UL 94V-0

COLOR: Blue

CONTACTS: Beryllium copper 30μ inches minimum gold over 50μ inches nickel in contact zone; tin/lead over nickel in termination area

ELECTRICAL PROPERTIES

CURRENT RATING: 1 Amp

INSULATION RESISTANCE: >1 x 10⁹ Ohms @ 500VDC

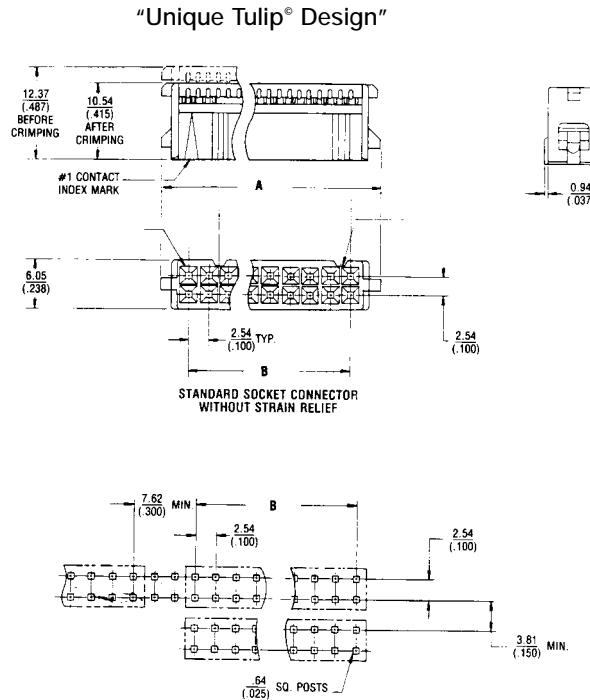
DIELECTRIC STRENGTH: > 500 VRMS at sea level

ENVIRONMENTAL PROPERTIES

TEMPERATURE RATING: -55°C TO 125°C

APPLICATION TOOLING

779-



Ordering Information

SOCKET CONN.	SOCKET CONN. W/ STRAIN RELIEF	CATALOG NUMBERS		NO. OF POS.	DIMENSIONS IN MM (INCHES)		
		POLARIZED SOCKET CONN.	POLARIZED SOCKET W/ STRAIN RELIEF		A	B	C
609-0600M	609-0601M	609-0630	609-0641	6	12.09(.476)	5.08(.200)	12.19(.480)
609-1000M	609-1001M	609-1030	609-1041	10	17.17(.676)	10.16(.400)	17.27(.680)
609-1400M	609-1401M	609-1430	609-1441	14	22.25(.876)	15.24(.600)	22.35(.880)
609-1600M	609-1601M	609-1630	609-1641	16	24.79(.976)	17.78(.700)	24.89(.980)
609-2000M	609-2001M	609-2030	609-2041	20	29.87(1.176)	22.86(.900)	29.97(1.180)
609-2400M	609-2401M	609-2430	609-2441	24	34.95(1.376)	27.94(1.100)	35.05(1.380)
609-2600M	609-2601M	609-2630	609-2641	26	37.49(1.476)	30.48(1.200)	37.59(1.480)
609-3400M	609-3401M	609-3430	609-3441	34	47.65(1.876)	40.64(1.600)	47.75(1.880)
609-3600M	609-3601M	609-3630	609-3641	36	50.19(1.976)	43.18(1.700)	50.29(1.980)
609-4000M	609-4001M	609-4030	609-4041	40	55.27(2.176)	48.26(1.900)	55.37(2.180)
609-4400M	609-4401M	609-4430	609-4441	44	60.35(2.376)	53.34(2.100)	60.45(2.380)
609-5000M	609-5001M	609-5030	609-5041	50	67.97(2.676)	60.95(2.400)	68.07(2.680)
609-5600M	609-5601M	609-5630	609-5641	56	75.59(2.976)	68.58(2.700)	75.69(2.980)
609-6000M	609-6001M	609-6030	609-6041	60	80.67(3.176)	73.66(2.900)	80.77(3.180)
609-6400M	609-6401M	609-6430	609-6441	64	85.75(3.376)	78.74(3.100)	86.05(3.380)