

### FINE-PITCH "D"-SHIELDED TERMINATORS (FP SERIES)



#### PHYSICAL PROPERTIES

**INSULATION MATERIAL:** Thermoplastic rated UL 94V-0.

**SHIELD:** Steel Can.

**CONTACTS:** High strength copper alloy; 30 μ inches minimum gold over 50 μ inches nickel in contact zone.

#### CONFIGURATION:

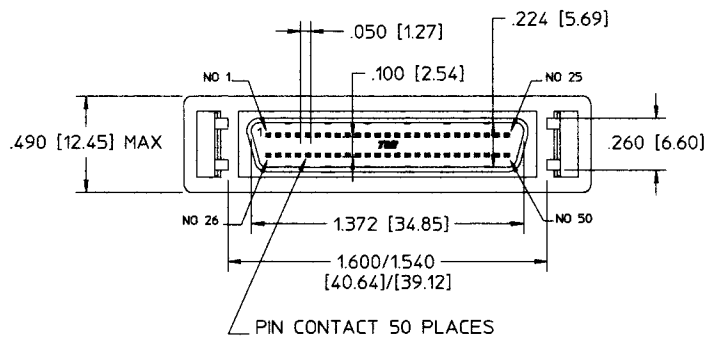
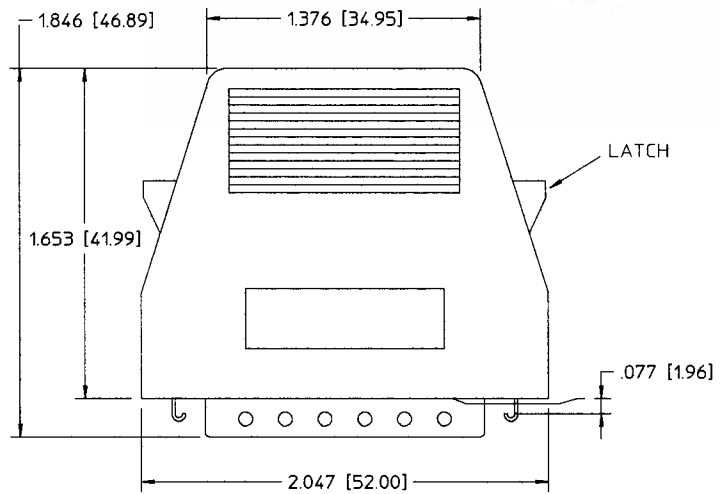
External, end-of-line, shielded

#### APPLICATION:

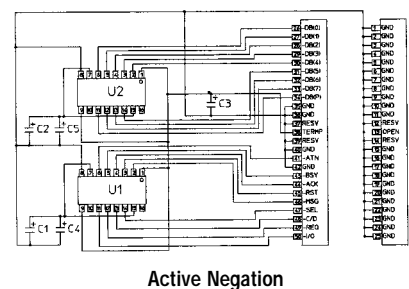
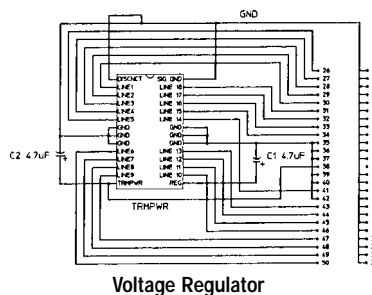
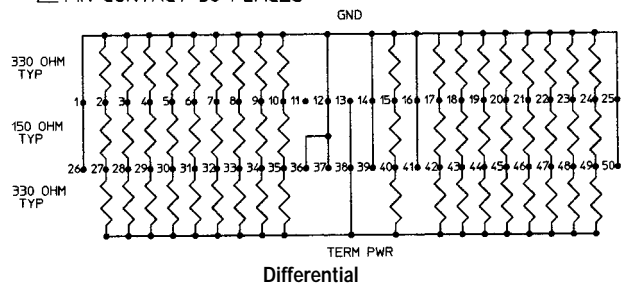
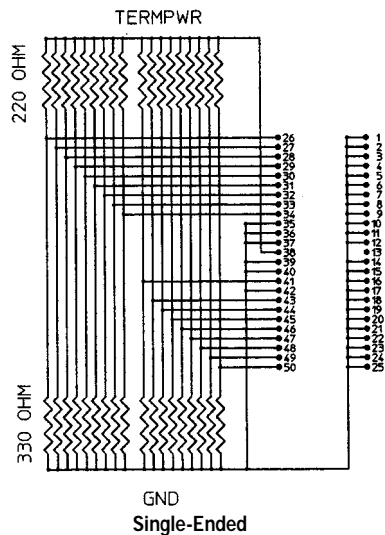
SCSI-2 & SCSI-3 systems. Shield allows use in equipment with separate enclosures.

#### RECOMMENDED MATING CONNECTORS:

- HFR050RA29JS1
- HFR050RA29JX1
- HFR050RA29NS1
- HFR050RA29NX1



PART NUMBER	STYLE
TRM050FPO	Single-Ended
TRM050FPDIFO	Differential
TRM050FPANO	Active Negation
TRM050FPVRO	Voltage Regulator



### FINE-PITCH "D"-SHIELDED TERMINATORS (FP SERIES)



LR92984 E60980

#### PHYSICAL PROPERTIES

INSULATION MATERIAL: Thermoplastic rated UL 94V-0.

CONTACTS: High strength copper alloy; 30 μ inches minimum gold over 50 μ inches nickel in contact zone.

#### ELECTRICAL PROPERTIES

WATTAGE RATING: 1/8 Watt

MAXIMUM OPERATING VOLTAGE: 50 volts

#### ENVIRONMENTAL PROPERTIES

TEMPERATURE RATING: 0°C to 70°C

#### CONFIGURATION:

External, end-of-line, shielded

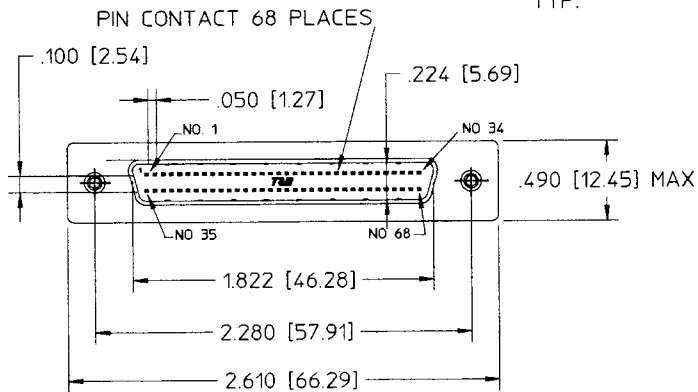
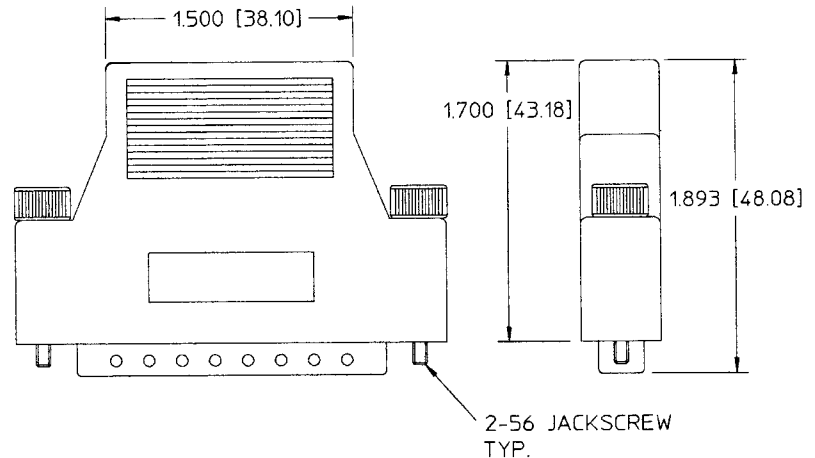
#### APPLICATION:

SCSI-2 and SCSI-3 systems. Shield allows use in equipment with separate enclosures.

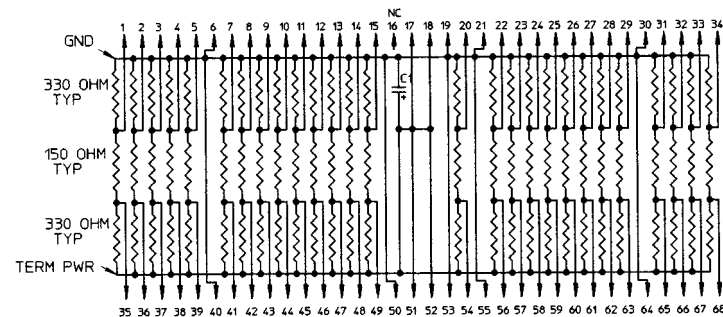
#### RECOMMENDED MATING

##### CONNECTORS:

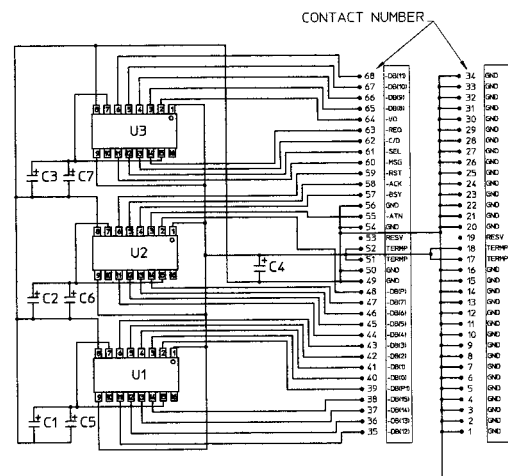
- HFR068RA29BS1
- HFR068RA29CSI
- HFR068RA29BX1
- HFR068RA29CX1



PART NUMBER	STYLE
TRM068FPDIFO	Differential
TRM068FPANO	Active Negation



Differential



Active Negation