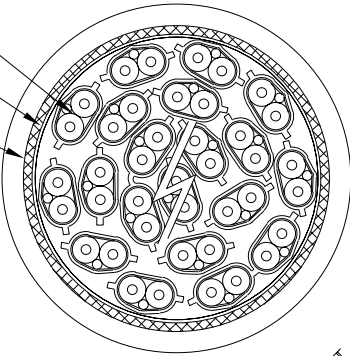


QUANTITY OF SHIELDED  
PAIRS PER CHART

ALUM-POLY SHIELD {1}

BRAID SHIELD {2}

JACKET



FIGURES ON SHEET 2  
SHOW THE CABLE'S CORE  
PRIOR TO BEING FORMED  
TO ROUND.

PRELIMINARY

ELECTRICAL

IMPEDANCE: 100 ± 5 Ω (DIFFERENTIAL TDR)

CAPACITANCE: 43 pF / M NOMINAL

PROP DELAY: 4.3 ns / M NOMINAL

SKEW (WITHIN PAIR) ≤ 98 ps / 10 M (REF ≤ 3 ps / FT) (TDT METHOD, DRAIN GROUNDED)  
(DIFFERENTIAL 50%-50%, TEKTRONIX 11801, SD-24/SD-26 SAMPLING HEADS)

SKEW (PAIR/PAIR) ≤ 350 ps / 10 M (REF ≤ 10.6 ps / FT) (TDT METHOD, DRAINS GROUNDED)  
(DIFFERENTIAL 50%-50%, TEKTRONIX 11801, SD-24/SD-26 SAMPLING HEADS)

ATTENUATION (NOMINAL): 4.1 dB / 10 M @ 140 MHz  
5.4 dB / 10 M @ 251 MHz  
7.3 dB / 10 M @ 420 MHz  
9.4 dB / 10 M @ 693 MHz

CROSSTALK: BETTER THAN 60 dB, 1 MHz TO 1 GHz, BOTH NEAR AND FAR END

APPROVALS

UL / CSA: UL CL2 CSA FT4 75°C

PHYSICAL

SHIELDED PARALLEL PAIRS, QUANTITY PER CHART ON SHEET 2

28 AWG SOLID SILVER PLATED COPPER (.0126 NOM DIA)

.0345 NOM DIAMETER FOAM POLYOLEFIN, ONE WHITE, OTHER BLUE TINT

PARALLEL PAIR WITH DRAIN: 28 AWG SOLID TINNED COPPER

.001 ALUMINIZED POLYESTER, SPIRAL, FOIL IN, 20% MIN OVERLAP  
(COLORED & NUMBERED PER CHART ON SHEET 2)

LAMINATE: .003 CLEAR PVC

PAIR SPACING: PER FIGURE ON SHEET 2

CABLING: RIBBON STAGGER-SLIT PER SHEET 2, TWISTED TO ROUND  
WITH RIGHT HAND LAY

OVERALL SHIELD {1}: .001 ALUMINIZED POLYESTER, SPIRAL, FOIL OUT,  
20% MIN OVERLAP

OVERALL SHIELD {2}: 36 AWG TINNED COPPER BRAID, 85% MIN COVERAGE

JACKET: BLACK PVC, WALL THICKNESS PER CHART

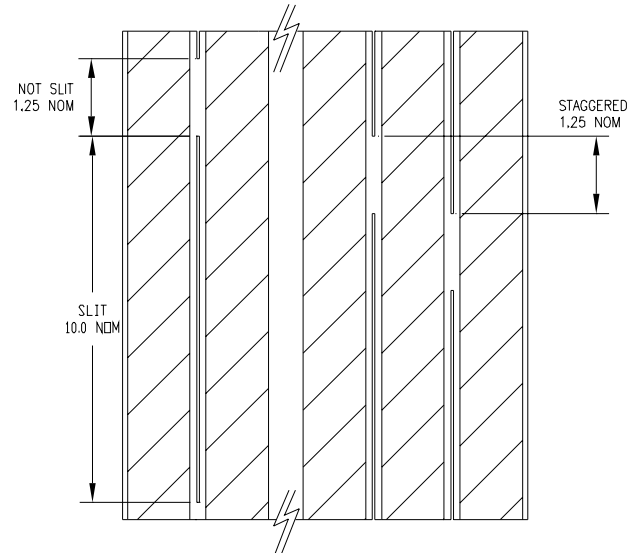
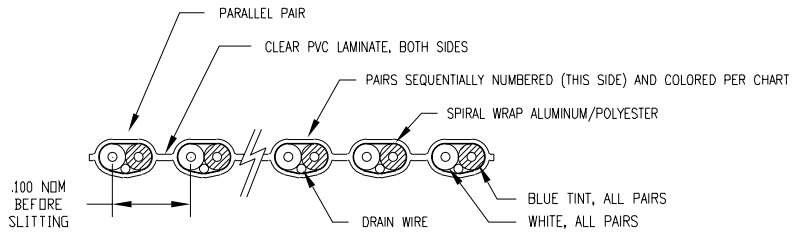
DIAMETER: PER CHART

PRINT LEGEND: SPECTRA-STRIP SKEWCLEAR® ## PAIR 28 AWG  
(UL) 75°C CL2 CSA AWM I/II A 75°C 300V FT-4  
( ## PER CHART )

ALL DIMENSIONS ARE INCHES UNLESS OTHERWISE NOTED

REVISION	CHANGES
2	COLOR CODE PAIR SINGLES

DRAWN BY CJV 10-26-98	PROD ENG	QA	MKT	P/ECN #	DRAWING NO. 165-2899-941/960	AMPHENOL <b>SPECTRA-STRIP</b> OPERATIONS 720 Sherman Ave Tel (203) 281-3200 Hamden CT. 06514 Fax (203) 281-5872	Rev 2
					TITLE: ROUND CABLE, LVDS SHIELDED PAIRS, 100 Ω, 28 AWG SKEWCLEAR®		Sheet 1 of 2



ALL DIMENSIONS ARE INCHES UNLESS OTHERWISE NOTED

PARALLEL PAIR COLOR CODING

PAIR #	SHIELD COLOR	PRINT TOP	OPTIONAL FOR PROTOTYPES
1	BLUE	1	1 COLOR 1
2	BLUE	2	1 COLOR 2
3	BLUE	3	1 COLOR 3
4	BLUE	4	1 COLOR 4
5	BLUE	5	1 COLOR 5
6	BLUE	6	1 COLOR 6
7	BLUE	7	1 COLOR 7
8	BLUE	8	1 COLOR 8
9	BLUE	9	1 COLOR 9
10	BLUE	10	1 COLOR 10
11	WHITE	1	1 COLOR 11
12	WHITE	2	1 COLOR 12
13	WHITE	3	1 COLOR 13
14	WHITE	4	1 COLOR 14
15	WHITE	5	1 COLOR 15
16	WHITE	6	1 COLOR 16
17	WHITE	7	1 COLOR 17
18	WHITE	8	1 COLOR 18
19	WHITE	9	1 COLOR 19
20	WHITE	10	1 COLOR 20
21	YELLOW	1	1 COLOR 21
22	YELLOW	2	1 COLOR 22
23	YELLOW	3	1 COLOR 23
24	YELLOW	4	1 COLOR 24
25	YELLOW	5	1 COLOR 25
26	YELLOW	6	1 COLOR 26
27	YELLOW	7	1 COLOR 27
28	YELLOW	8	1 COLOR 28
29	YELLOW	9	1 COLOR 29
30	YELLOW	10	1 COLOR 30
31	GREEN	1	1 COLOR 31
32	GREEN	2	1 COLOR 32
33	GREEN	3	1 COLOR 33
34	GREEN	4	1 COLOR 34
35	GREEN	5	1 COLOR 35
36	GREEN	6	1 COLOR 36
37	GREEN	7	1 COLOR 37
38	GREEN	8	1 COLOR 38
39	GREEN	9	1 COLOR 39
40	GREEN	10	1 COLOR 40
41	RED	1	1 COLOR 41
42	RED	2	1 COLOR 42
43	RED	3	1 COLOR 43
44	RED	4	1 COLOR 44
45	RED	5	1 COLOR 45
46	RED	6	1 COLOR 46
47	RED	7	1 COLOR 47
48	RED	8	1 COLOR 48
49	RED	9	1 COLOR 49
50	RED	10	1 COLOR 50

P/N	# OF PAIRS	JACKET WALL	CABLE DIAMETER ± .015
-941	4	.025	.215
-942	5	.025	.235
-943	8	.025	.275
-944	9	.025	.285
-945	10	.025	.300
-946	15	.025	.350
-947	20	.025	.390
-948	25	.030	.435
-949	30	.035	.480
-950	35	.035	.510
-951	40	.035	.540
-952	50	.035	.590
-953	--	--	--
-954	--	--	--
-955	--	--	--
-956	--	--	--
-957	--	--	--
-958	--	--	--
-959	--	--	--
-960	--	--	--

DRAWN BY EPV 10-26-98	PROD ENG	QA	MKT	P/ECN #	DRAWING NO. 165-2899-941/960	AMPHENOL <b>SPECTRA-STRIP</b> OPERATIONS 720 Sherman Ave Hamden CT. 06514	Tel (203) 281-3200 Fax (203) 281-5872	Rev 2
					TITLE: ROUND CABLE, LVDS SHIELDED PAIRS, 100Ω, 28 AWG SKEWCLEAR®			Sheet 2 of 2