

Surface Mount Type Tantalum Solid Electrolytic Capacitors

Japan



Series: **TES**
 Type: **T**

Surface mount type	Low profile
--------------------	-------------

■ Features

- Low profile
 Height: H=1.2 mm max.
 Product line up of size Z (2.0×1.25×1.2)

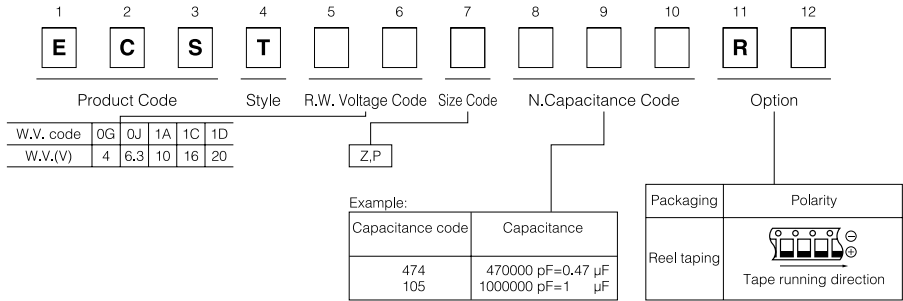
■ Recommended Applications

- Handy headphones stereo, pager, camcorder.

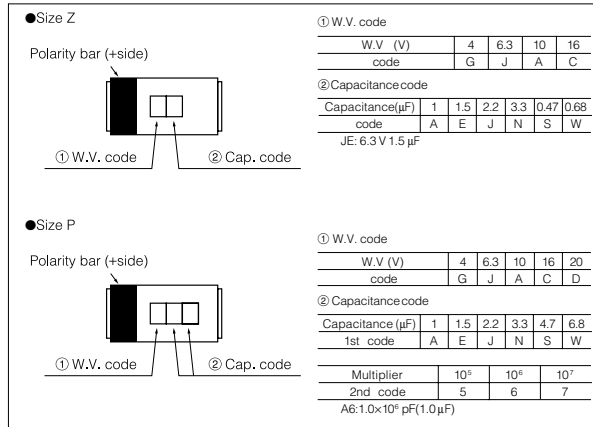
■ Specifications

Operating Temp. Range	-55 to +125 °C	
Rated W.V. Range	4 to 20 V.DC	
Nominal Cap. Range	0.1 to 6.8 μF	
Capacitance Tolerance	±20 % (120 Hz/+20 °C)	
DC Leakage Current	I ≤ 0.5 (μA) after 2 minutes application of rated working voltage at +20 °C	
Dissipation Factor	Please see " Standard Products " table.	
Resistance to Soldering Heat	The capacitor shall withstand dipping into solder for 5±1 seconds at +260±5 °C	
Moisture Resistance	After 500 hours exposure at +40 °C and 90 to 95 % R.H. without load, the capacitor shall meet the following limits.	
	Capacitance change	±10 % of initial measured value
	D.F.	≤ Initial specified value
	DC leakage current	≤ Initial specified value
Endurance	After 2000 hours application of rated DC working voltage at +85 °C or derated voltage at +125 °C, the capacitor shall meet the following limits.	
	Capacitance change	±10 % of initial measured value
	D.F.	≤ Initial specified value
	DC leakage current	≤ 125 % of initial specified value

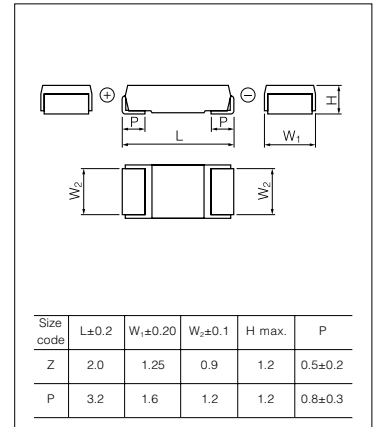
Explanation of Part Numbers



Marking



Dimensions in mm (not to scale)



Case size

Cap.(μF) \ W.V.(V.DC)	4 (0G)	6.3 (0J)	10 (1A)	16 (1C)	20 (1D)
0.10 (104)					P
0.15 (154)					P
0.22 (224)					P
0.33 (334)					P
0.47 (474)				Z	P
0.68 (684)				P, Z	P
1.0 (105)			P, Z	P	P
1.5 (155)		P, Z	P		
2.2 (225)	P, Z	P, Z		P	
3.3 (335)	P, Z		P		
4.7 (475)		P	P		
6.8 (685)	P				

Note: 1. () shows W.V. and capacitance code.
 2. When selecting W.V., see the page 230.
 3. Other rating upon request (voltage, capacitance, tolerance, size)

■ Standard Products

W.V. (V)	Cap. (±20%) (μF)	Case Size		Specification		Part No.	Min. Packaging Qty
		L x W x H (mm)	Size Code	D.F.	L.C (μA)		Taping (pcs)
4	2.2	2.0x1.25x1.2	Z	0.10	0.5	ECST0GZ225R	3000
		3.2x1.6x1.2	P	0.04	0.5	ECST0GP225R	3000
	3.3	2.0x1.25x1.2	Z	0.15	0.5	ECST0GZ335R	3000
		3.2x1.6x1.2	P	0.04	0.5	ECST0GP335R	3000
6.3	1.5	2.0x1.25x1.2	Z	0.10	0.5	ECST0JZ155R	3000
		3.2x1.6x1.2	P	0.04	0.5	ECST0JP155R	3000
10	2.2	2.0x1.25x1.2	Z	0.12	0.5	ECST0JZ225R	3000
		3.2x1.6x1.2	P	0.04	0.5	ECST0JP225R	3000
	4.7	3.2x1.6x1.2	P	0.08	0.5	ECST0JP475R	3000
		1	2.0x1.25x1.2	Z	0.10	0.5	ECST1AZ105R
16	0.47		2.0x1.25x1.2	Z	0.10	0.5	ECST1CZ474R
		3.2x1.6x1.2	P	0.04	0.5	ECST1CP474R	3000
	0.68	2.0x1.25x1.2	Z	0.10	0.5	ECST1CZ684R	3000
		3.2x1.6x1.2	P	0.04	0.5	ECST1CP684R	3000
20	1	3.2x1.6x1.2	P	0.04	0.5	ECST1AP105R	3000
		3.2x1.6x1.2	P	0.04	0.5	ECST1AP155R	3000
	3.3	3.2x1.6x1.2	P	0.08	0.5	ECST1AP335R	3000
		3.2x1.6x1.2	P	0.08	0.5	ECST1AP475R	3000
	0.1	3.2x1.6x1.2	P	0.04	0.5	ECST1DP104R	3000
		3.2x1.6x1.2	P	0.04	0.5	ECST1DP154R	3000
		3.2x1.6x1.2	P	0.04	0.5	ECST1DP224R	3000
0.22	3.2x1.6x1.2	P	0.04	0.5	ECST1DP334R	3000	
	3.2x1.6x1.2	P	0.04	0.5	ECST1DP474R	3000	
	3.2x1.6x1.2	P	0.04	0.5	ECST1DP684R	3000	
	3.2x1.6x1.2	p	0.06	0.5	ECST1DP105R	3000	