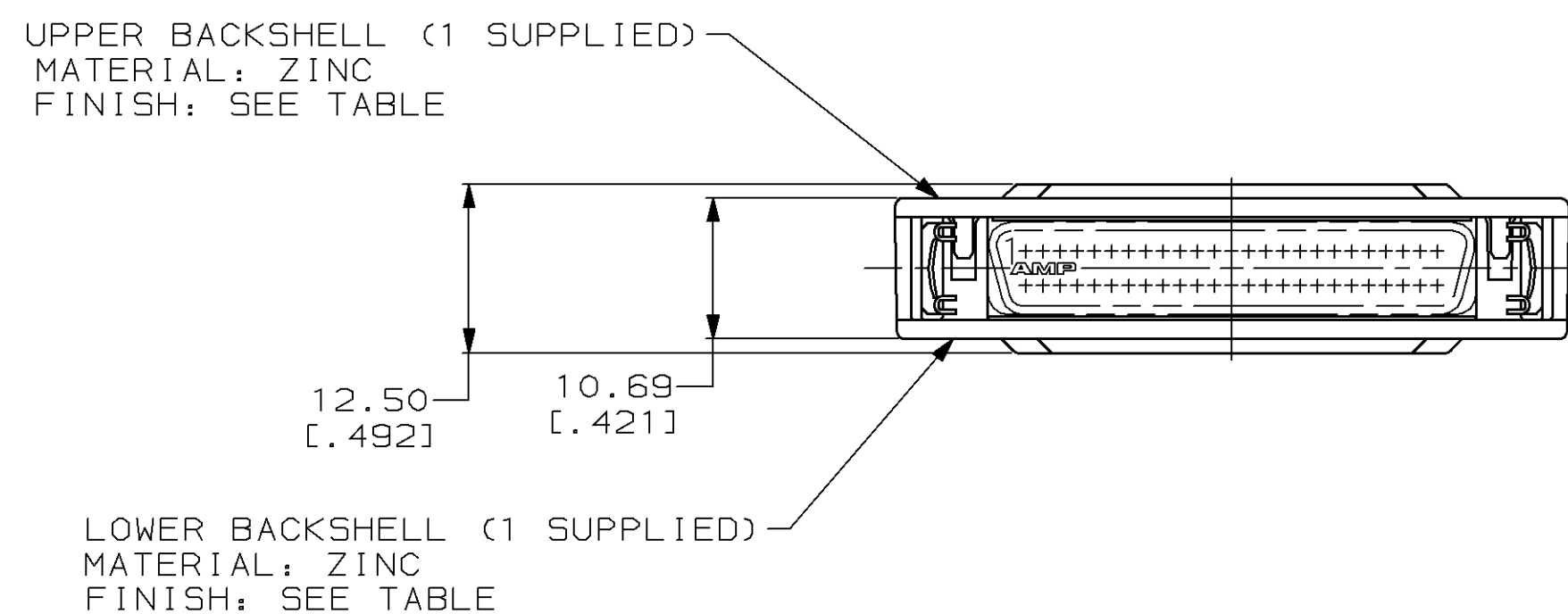
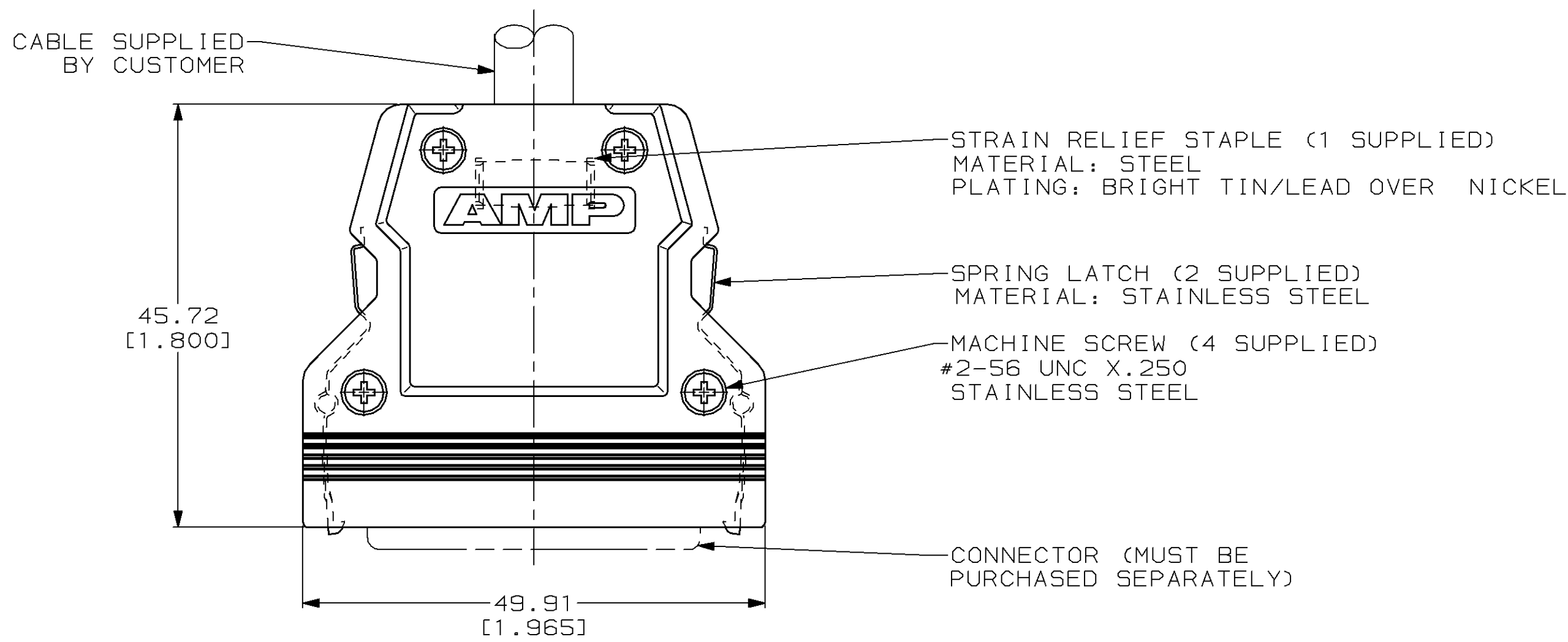


THIS DRAWING IS UNPUBLISHED. RELEASED FOR PUBLICATION ,19 .
 © COPYRIGHT 19 BY AMP INCORPORATED. ALL INTERNATIONAL RIGHTS RESERVED.

LOC	DIST	P	F	ZONE	LTR	DESCRIPTION	DATE	APPD
BD	95							
					0	RLSE 749889-3, NPR 21, WAS 90-5870-94	10/24/90	-
					A	ADDED -4 PER NPR 3295	01/15/91	-
					B	RLSE -5 NPR 4556, WAS 92-4621-10-1	01/18/93	TS
					C	REV PER EC 0020-1023-93	08/24/93	RM
					D	OBSOLETE -5 PER EC 0020-481-96	17 FEB 97	LB



- 1 PARTS PACKAGED AS A UNIT KIT.
- 2 PARTS INDIVIDUALLY BULK PACKAGED & SHIPPED AS A UNIT PACKAGE.

OBSOLETE	BACKSHELL FINISH	PACKAGING	CABLE DIA	PART NO.
	BLACK POWER	1	.480 MAX	749889-5
	NICKEL OVER COPPER	2	.480 MAX	749889-4
	NICKEL OVER COPPER	1	.480 MAX	749889-3
	NICKEL OVER COPPER	1	.400 MAX	749889-2
	NICKEL OVER COPPER	1	.355 MAX	749889-1

DO NOT SCALE PRINT. UNLESS SPECIFIED DIMENSIONS IN mm [INCHES] TOLERANCES ON :	DR 10/24/90 M.A.MCCAFFREY	AMP Incorporated Harrisburg, PA 17105-3608		
2 PLC DEC ± 0.38 [.015] 3 PLC DEC ± - ANGLES ± -	CHK 10/24/90 S.G.SMITH			
MATERIAL	APPD 11-13-90 J.BROSCHARD	NAME		
-	APPD 10/24/90 R.N.WHITEMAN	BACKSHELL KIT, 50 POSITION, REDUCED WIDTH, STRAIGHT EXIT, UNKEYED, AMPLIMITE™ .050 Series		
FINISH	PRODUCT SPEC	SIZE	CAGE CODE	DRAWING NO
-	APPLICATION SPEC	C	00779	749889
	WEIGHT	SCALE		SHEET
	-	2:1		1 OF 1