

.100" Shunt

Midgie

929 Series



12

IMPORTANT NOTICE TO PURCHASER

ALL STATEMENTS, TECHNICAL INFORMATION AND RECOMMENDATIONS CONTAINED HEREIN ARE BASED ON TESTS WE BELIEVE TO BE RELIABLE, BUT THE ACCURACY OR COMPLETENESS THEREOF IS NOT GUARANTEED, AND THE FOLLOWING IS MADE IN LIEU OF ALL WARRANTIES, EXPRESSED OR IMPLIED:

SELLER'S AND MANUFACTURER'S ONLY OBLIGATION SHALL BE TO REPLACE SUCH QUANTITY OF THE PRODUCT PROVED TO BE DEFECTIVE. NEITHER SELLER NOR MANUFACTURER SHALL BE LIABLE FOR ANY INJURY, LOSS OR DAMAGE, DIRECT OR CONSEQUENTIAL, ARISING OUT OF THE USE OF OR THE INABILITY TO USE THE PRODUCT. BEFORE USING, USER SHALL DETERMINE THE SUITABILITY OF THE PRODUCT FOR HIS INTENDED USE, AND USER ASSUMES ALL RISK AND LIABILITY WHATSOEVER IN CONNECTION THEREWITH. NO STATEMENT OR RECOMMENDATION NOT CONTAINED HEREIN SHALL HAVE ANY FORCE OR EFFECT UNLESS IN AN AGREEMENT SIGNED BY OFFICERS OR SELLER AND MANUFACTURER.

Date Issued: January 3, 1998

TS-0200-08
Sheet 1 of 2

Physical

Insulation

Material: Glass Filled Polyester (PBT)
Flammability: UL 94V-0
Color: Black, Blue, Yellow and Gray

Contact

Material: Copper Alloy (C688)
Plating
Underplate & U-Slot: 50 μ " [1.27 μ m] Nickel — QQ-N-290A, Class 2
Wiping Area
Black: Unplated
Blue: 10 μ " [0.25 μ m] Gold — MIL-G-45204, Type II, Grade C
Gray: 30 μ " [0.76 μ m] Gold — MIL-G-45204, Type II, Grade C

Marking: 3M Logo

Electrical

Current Rating: 1 A
Insulation Resistance: $> 5 \times 10^9 \Omega$ at 500 VDC
Withstanding Voltage: 1500 Vrms at Sea Level

Environmental

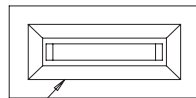
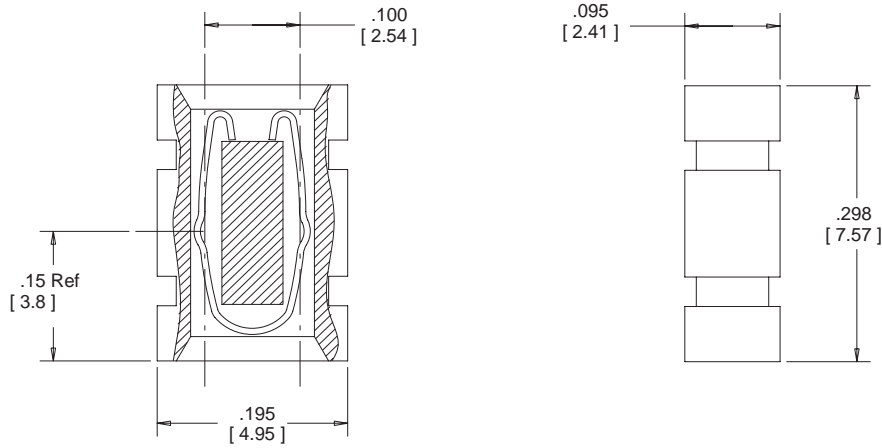
Temperature Rating: -55°C to 100°C

UL File No.: E68080

3M Electronic Products Division

6801 River Place Blvd.
Austin, TX 78726-9000

For technical, sales or ordering information call
800-225-5373



Recommended that the header pins enter this end of the connector housing. (See Note 1)



Notes:

1. Recommended installation is with the 3M logo on top. Reference the contact design to help assure proper installation.
2. Recommended to be mated to .025" [0.64] round or square header pins.

Inch [mm]			
Tolerance Unless Noted			
	.0	.00	.000
Inch	±.1	±.01	±.005

[] Dimensions for Reference only

Ordering Information

92995X-XX

Color/Plating Options:
0-00 = Black/Unplated
5-06 = 10µ " Blue/Gold
7-08 = 30µ " Gray/Gold

TS-0200-08
Sheet 2 of 2