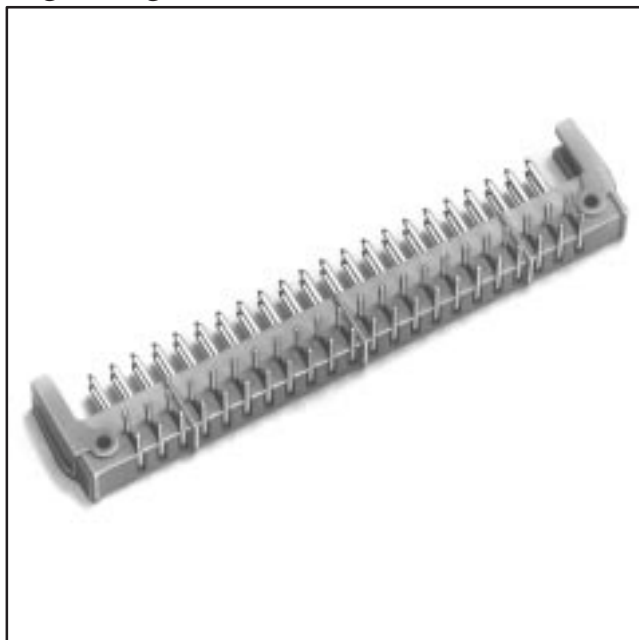


.100" × .075" Compact Header

Right Angle

502 Series



79

IMPORTANT NOTICE TO PURCHASER

ALL STATEMENTS, TECHNICAL INFORMATION AND RECOMMENDATIONS CONTAINED HEREIN ARE BASED ON TESTS WE BELIEVE TO BE RELIABLE, BUT THE ACCURACY OR COMPLETENESS THEREOF IS NOT GUARANTEED, AND THE FOLLOWING IS MADE IN LIEU OF ALL WARRANTIES, EXPRESSED OR IMPLIED:

SELLER'S AND MANUFACTURER'S ONLY OBLIGATION SHALL BE TO REPLACE SUCH QUANTITY OF THE PRODUCT PROVED TO BE DEFECTIVE. NEITHER SELLER NOR MANUFACTURER SHALL BE LIABLE FOR ANY INJURY, LOSS OR DAMAGE, DIRECT OR CONSEQUENTIAL, ARISING OUT OF THE USE OF OR THE INABILITY TO USE THE PRODUCT. BEFORE USING, USER SHALL DETERMINE THE SUITABILITY OF THE PRODUCT FOR HIS INTENDED USE, AND USER ASSUMES ALL RISK AND LIABILITY WHATSOEVER IN CONNECTION THEREWITH. NO STATEMENT OR RECOMMENDATION NOT CONTAINED HEREIN SHALL HAVE ANY FORCE OR EFFECT UNLESS IN AN AGREEMENT SIGNED BY OFFICERS OR SELLER AND MANUFACTURER.

Date Issued: October 29, 1997

TS-0300-13
Sheet 1 of 2

Physical

Insulation

Material: Glass Filled Polyester (PBT)
Flammability: UL 94V-0
Color: Gray
Marking: 3M Logo, Part Identification and Orientation Triangle

Contact

Material: Copper Alloy
Plating
Underplate: 80 μ " [2.03 μ m] Nickel — QQ-N-290A, Class 2
Wiping Area: 12 μ " [0.30 μ m] Gold — MIL-G-45204, Type II, Grade C
Solder Tails: 200 μ " [5.08 μ m] 85/15 Tin Lead — MIL-P-81728

Electrical

Current Rating: 1 A
Insulation Resistance: $>1 \times 10^9 \Omega$ at 500 Vdc
Withstanding Voltage: 1000 Vrms at Sea Level

Environmental

Temperature Rating: -40°C to $+85^\circ\text{C}$

UL File No.: E68080

3M Electronic Products Division

6801 River Place Blvd.
Austin, TX 78726-9000

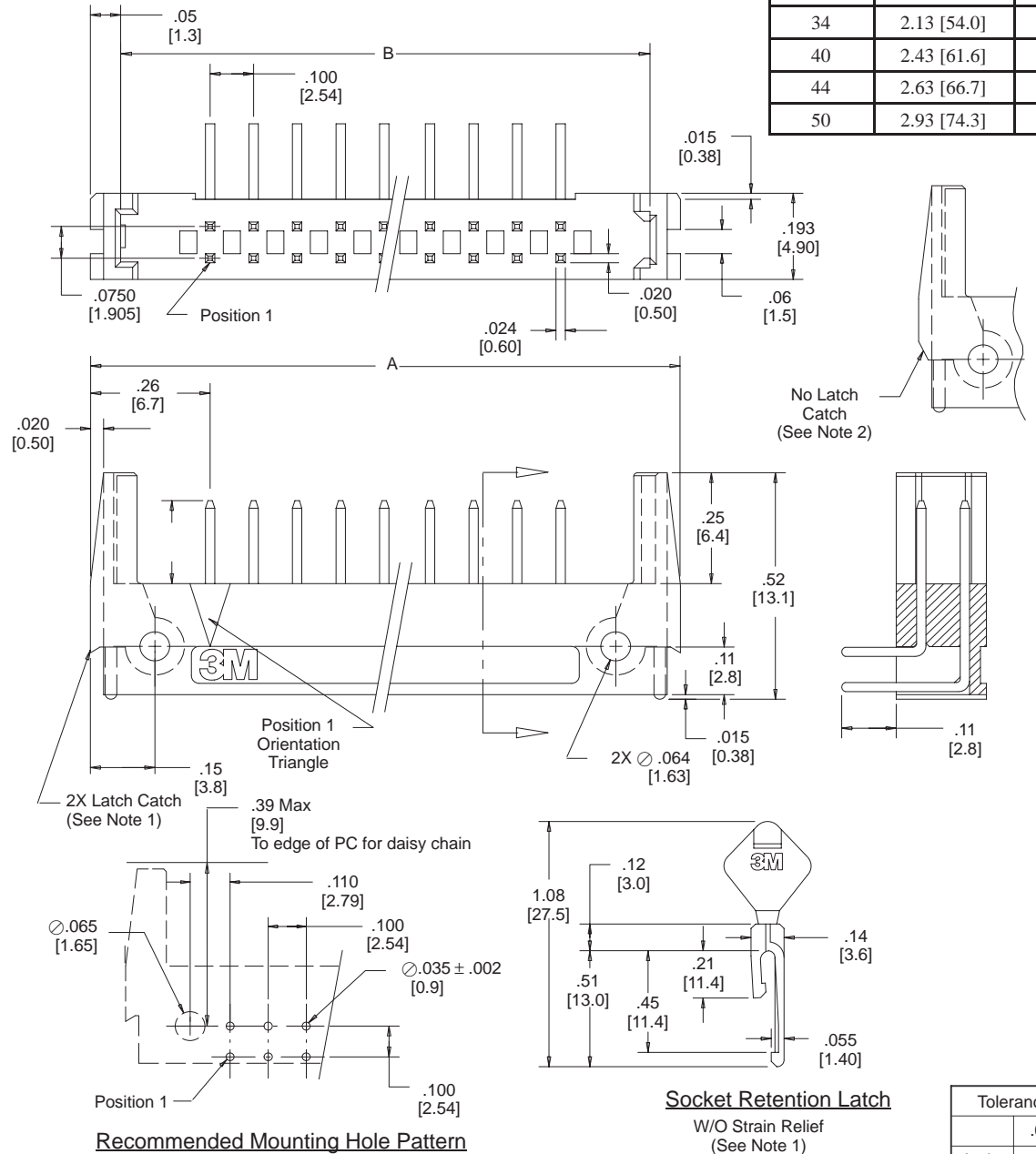
For technical, sales or ordering information call
800-225-5373

.100" × .075" Compact Header Right Angle

502 Series



Pin Quantity	Dimension	
	A	B
16	1.23 [31.2]	1.13 [28.6]
20	1.41 [36.2]	1.31 [33.6]
26	1.73 [43.9]	1.63 [41.3]
34	2.13 [54.0]	2.02 [51.4]
40	2.43 [61.6]	2.32 [59.0]
44	2.63 [66.7]	2.52 [64.1]
50	2.93 [74.3]	2.82 [71.7]



- Notes:
1. Socket retention latch operational on 16, 20 and 50 pin Headers only.
 2. No retention latch on positions 26, 34, 40 and 44 Pin Headers.

Inch [mm]

Tolerance Unless Noted			
	.0	.00	.000
Inch	± .1	± .01	± .005

[] Dimensions for Reference only

Ordering Information

502XX-B002

Pin Quantity:
See Table

Socket Retention Latch
(Order Separately)
3785-2

TS-0300-13
Sheet 2 of 2

3M Electronic Products Division

6801 River Place Blvd.
Austin, TX 78726-9000

For technical, sales or ordering information call
800-225-5373