

D783E
Gigabit Ethernet VME Controller
Production Version
Virtex-II Pro P20

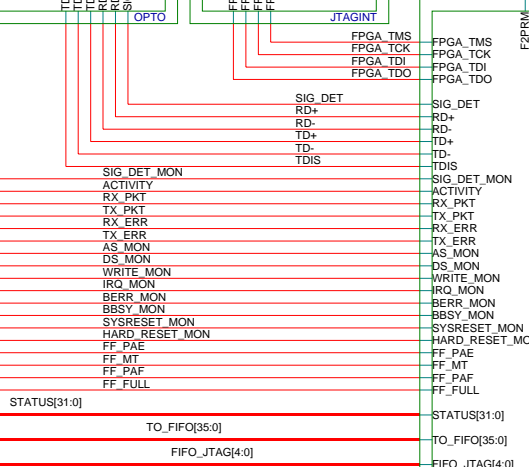
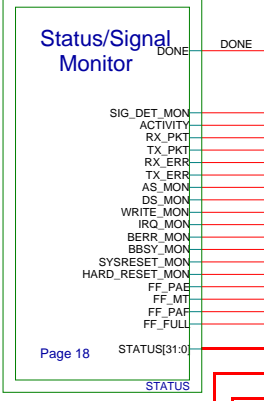
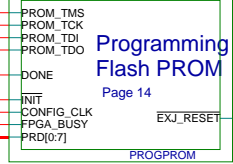
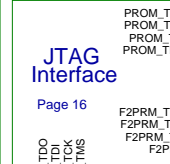
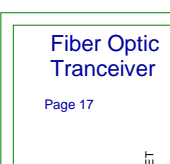
VME Controller

VMECTRL

Electronics Lab
Physics Research Building
The Ohio State University
191 West Woodruff Ave
Columbus, Ohio 43210

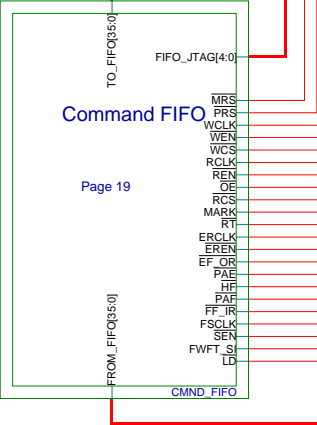
Front Panel

Backplane



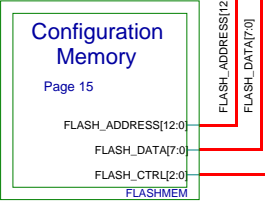
Logic

Page 10 - 13



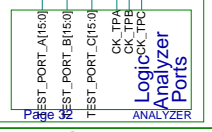
Command FIFO

Page 19



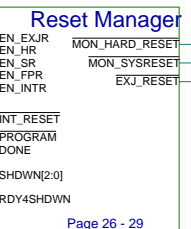
Configuration Memory

Page 15



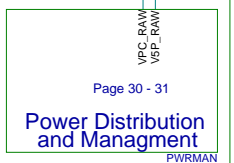
Logic Analyzer Ports

Page 32



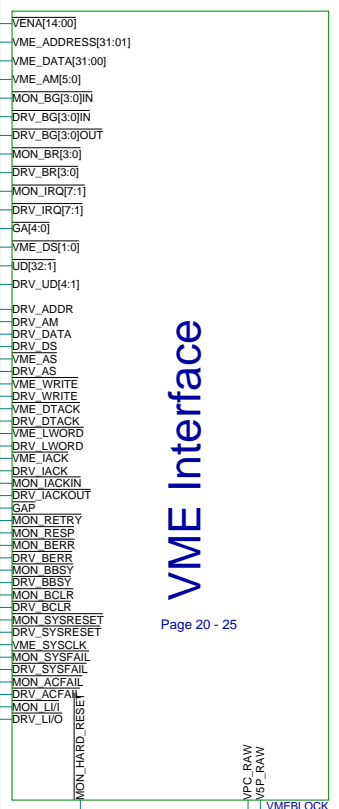
Reset Manager

Page 26 - 29



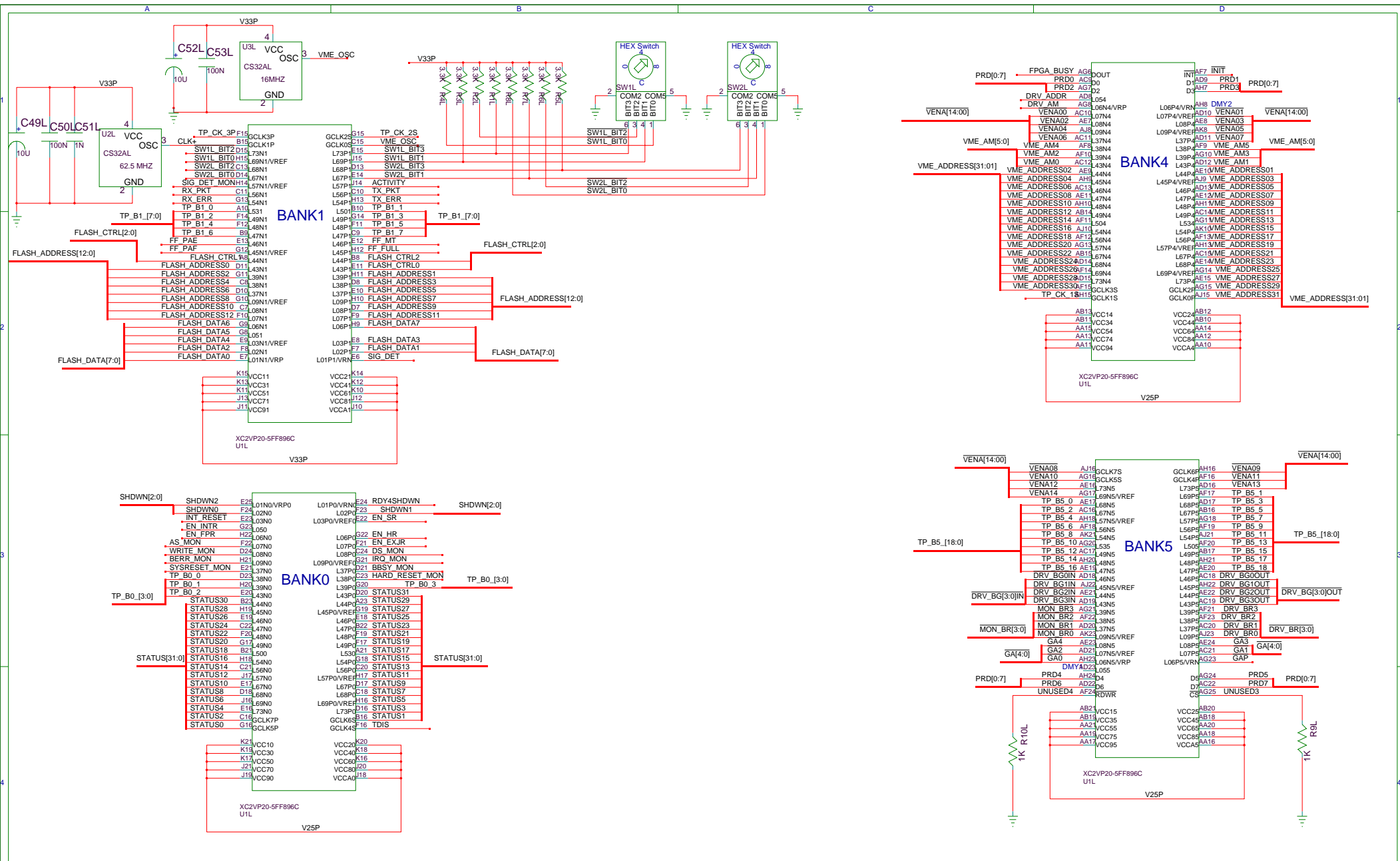
Power Distribution and Management

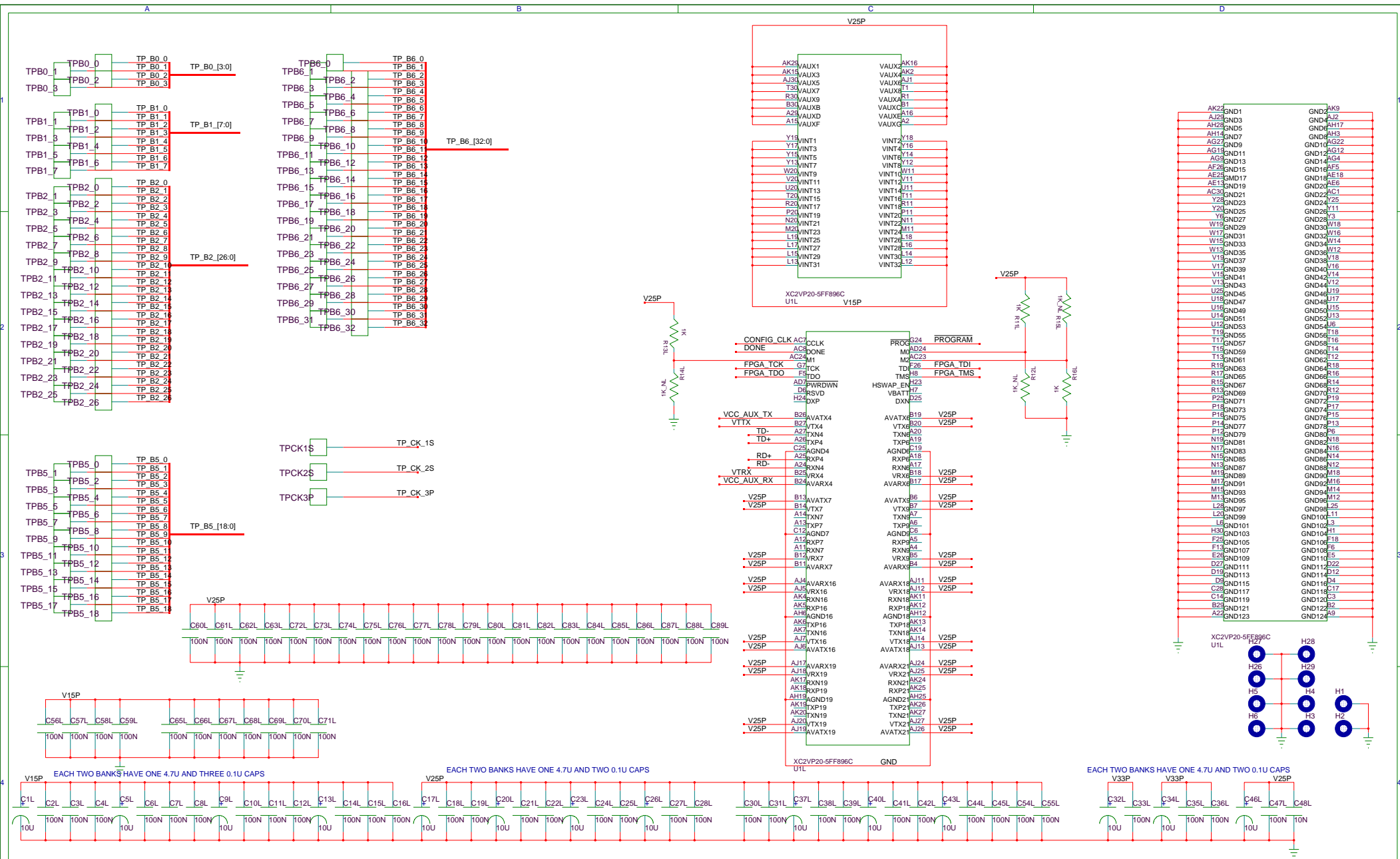
Page 30 - 31

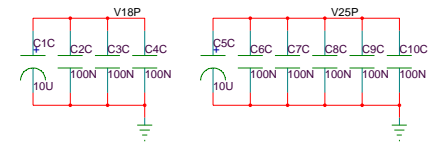
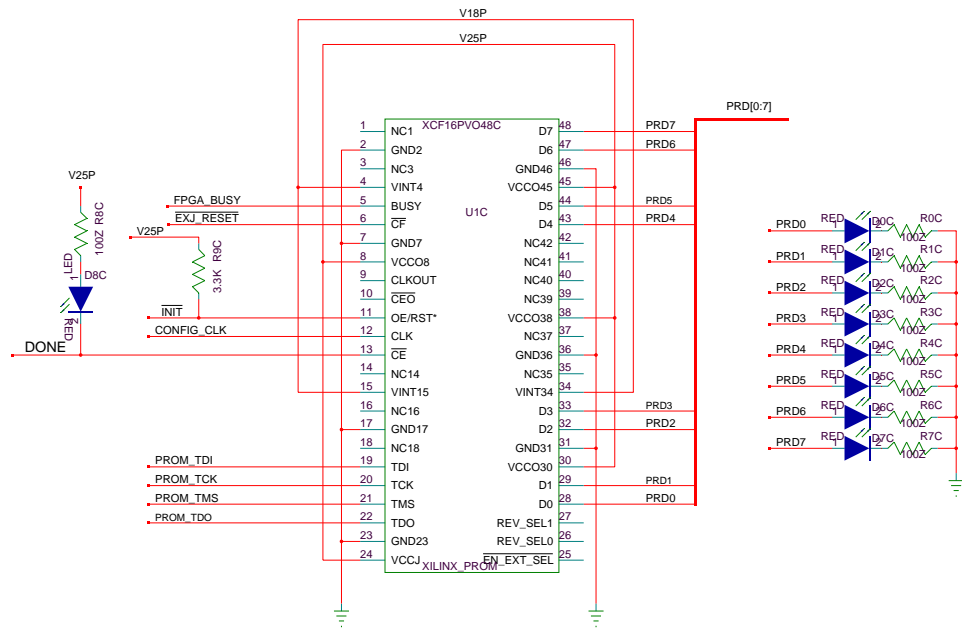


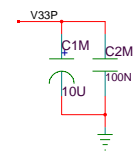
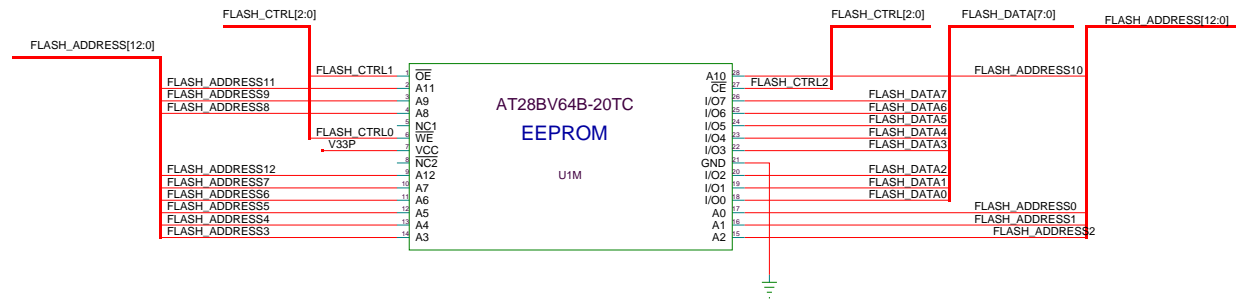
VME Interface

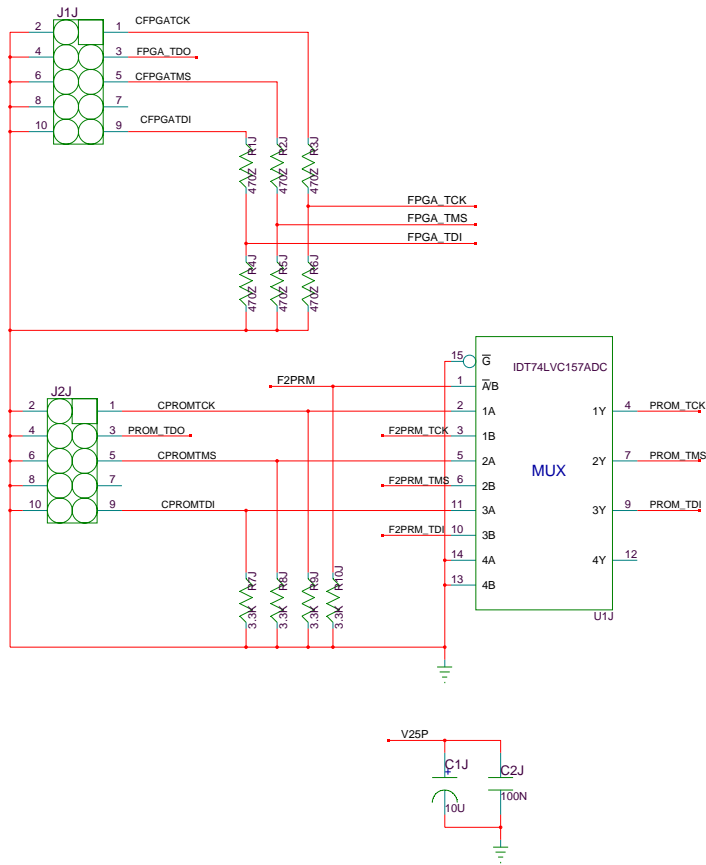
Page 20 - 25

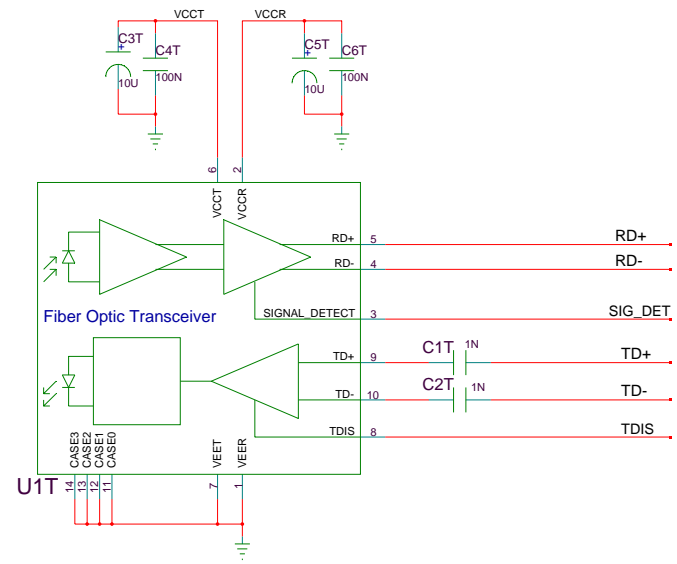


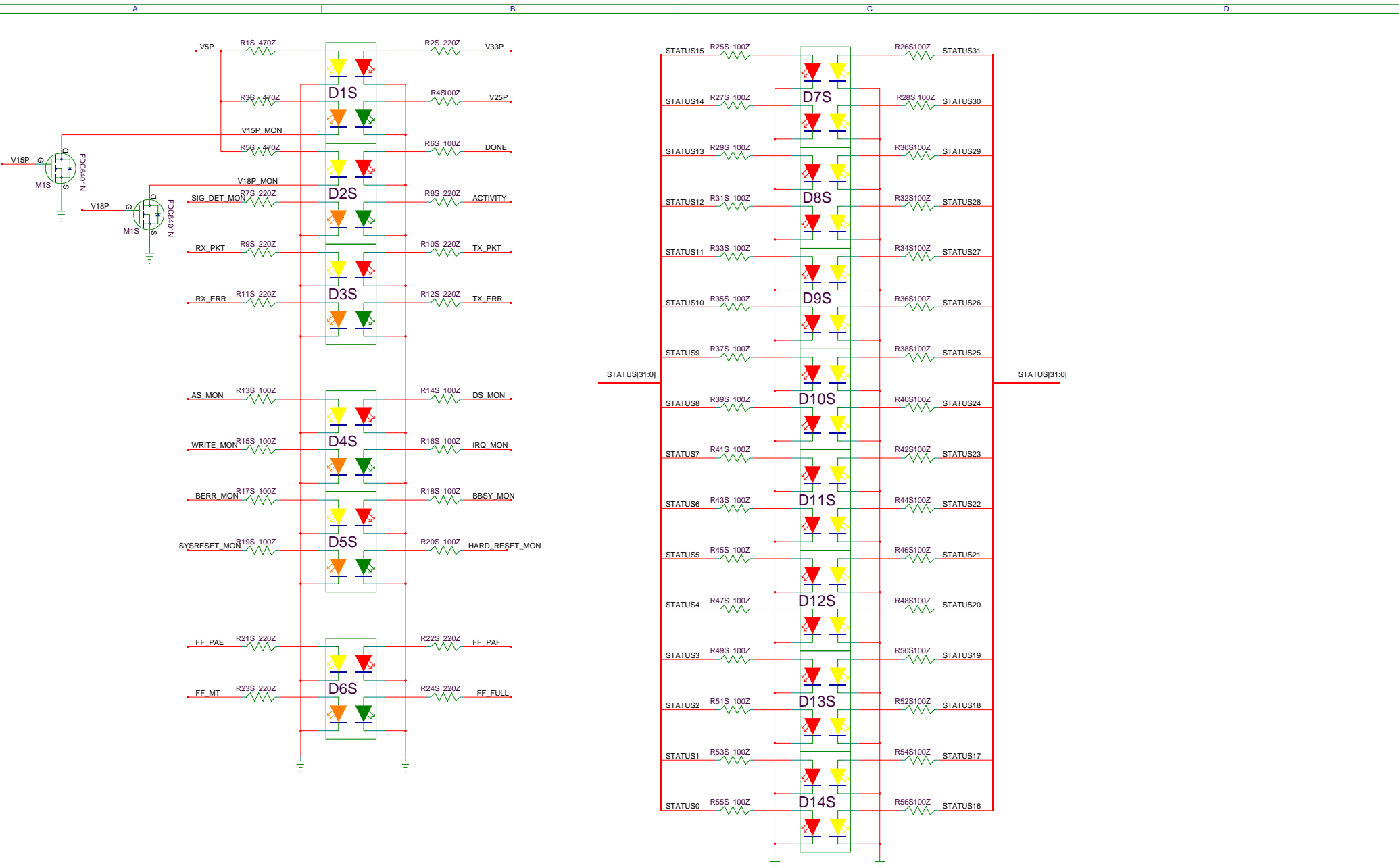


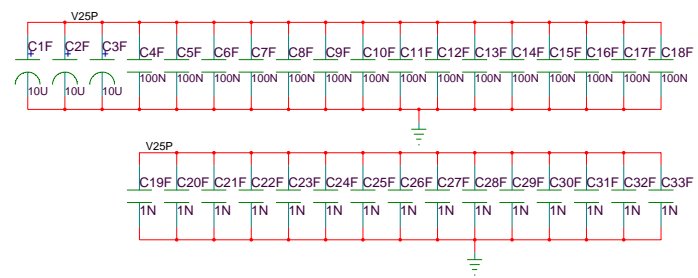
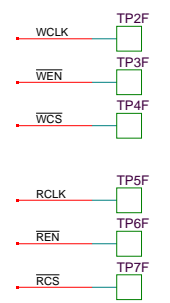
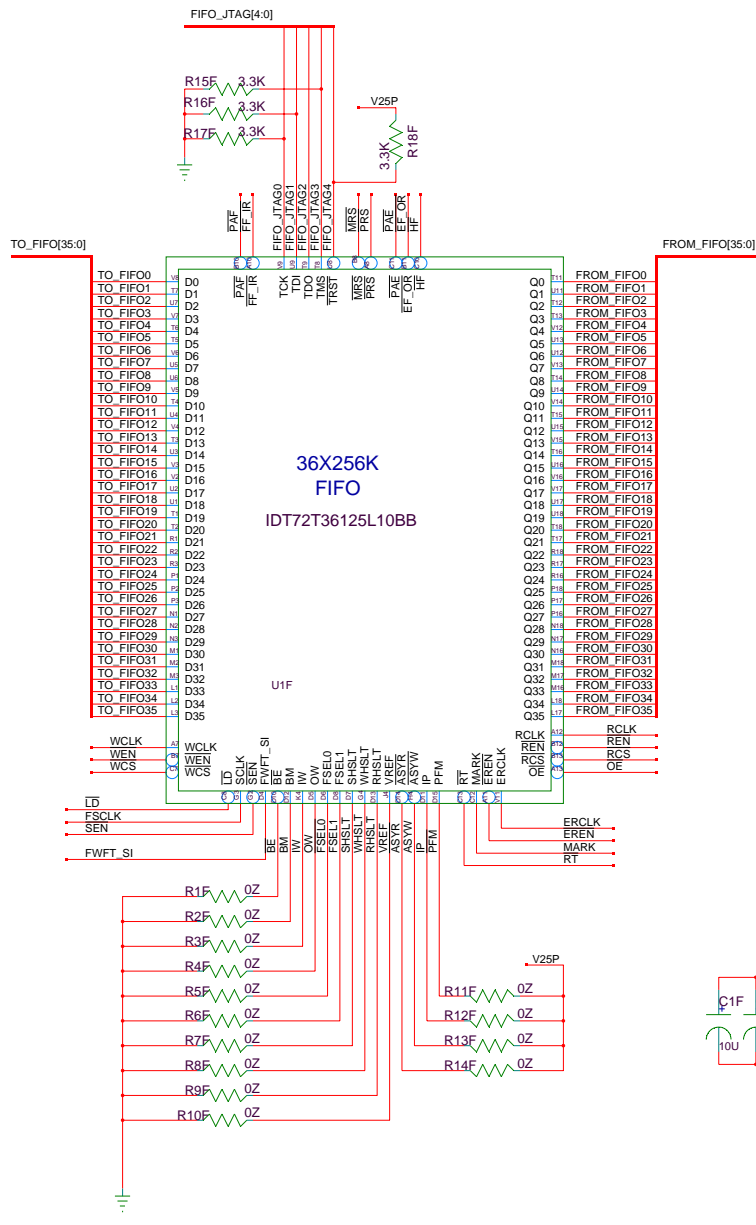


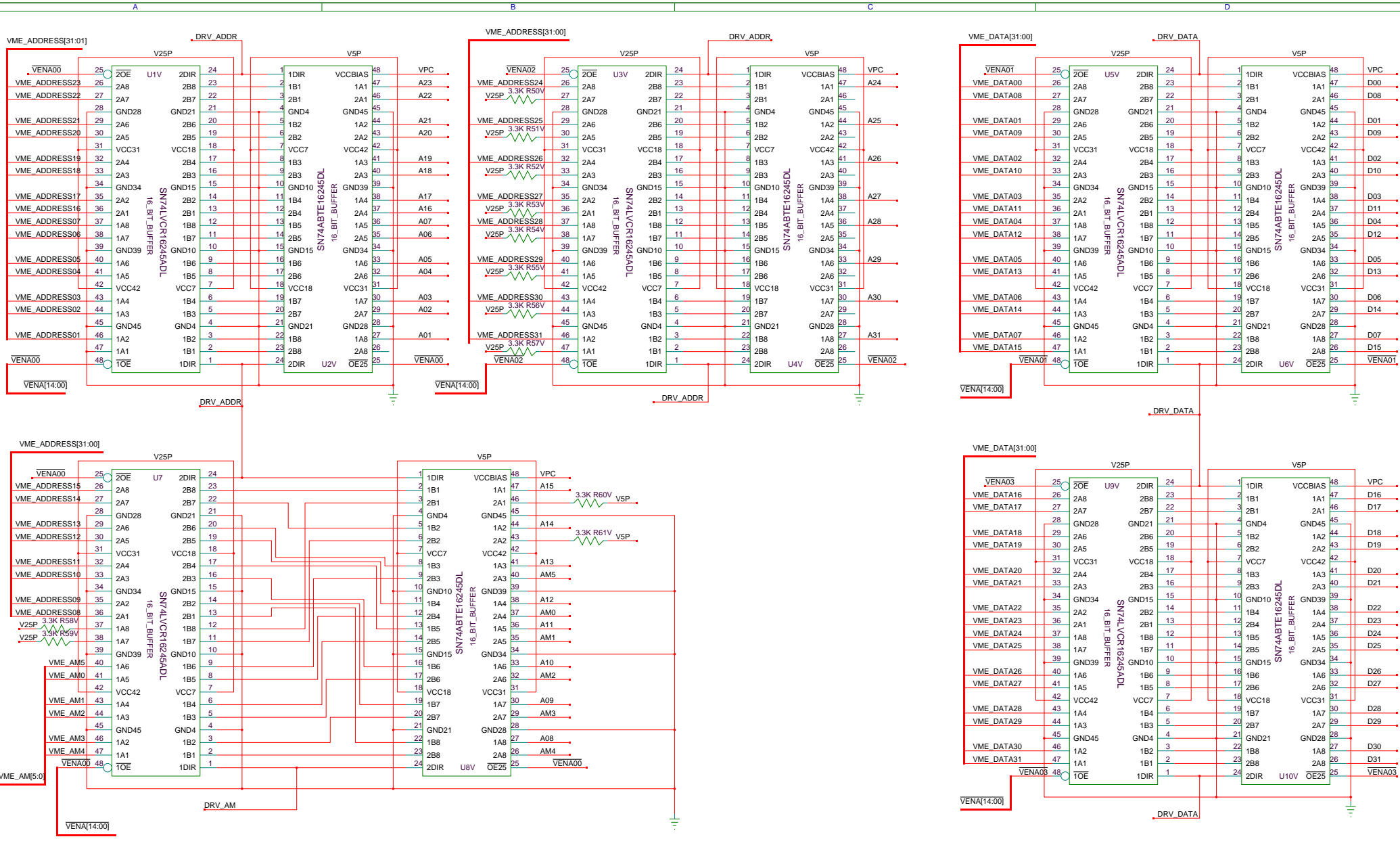


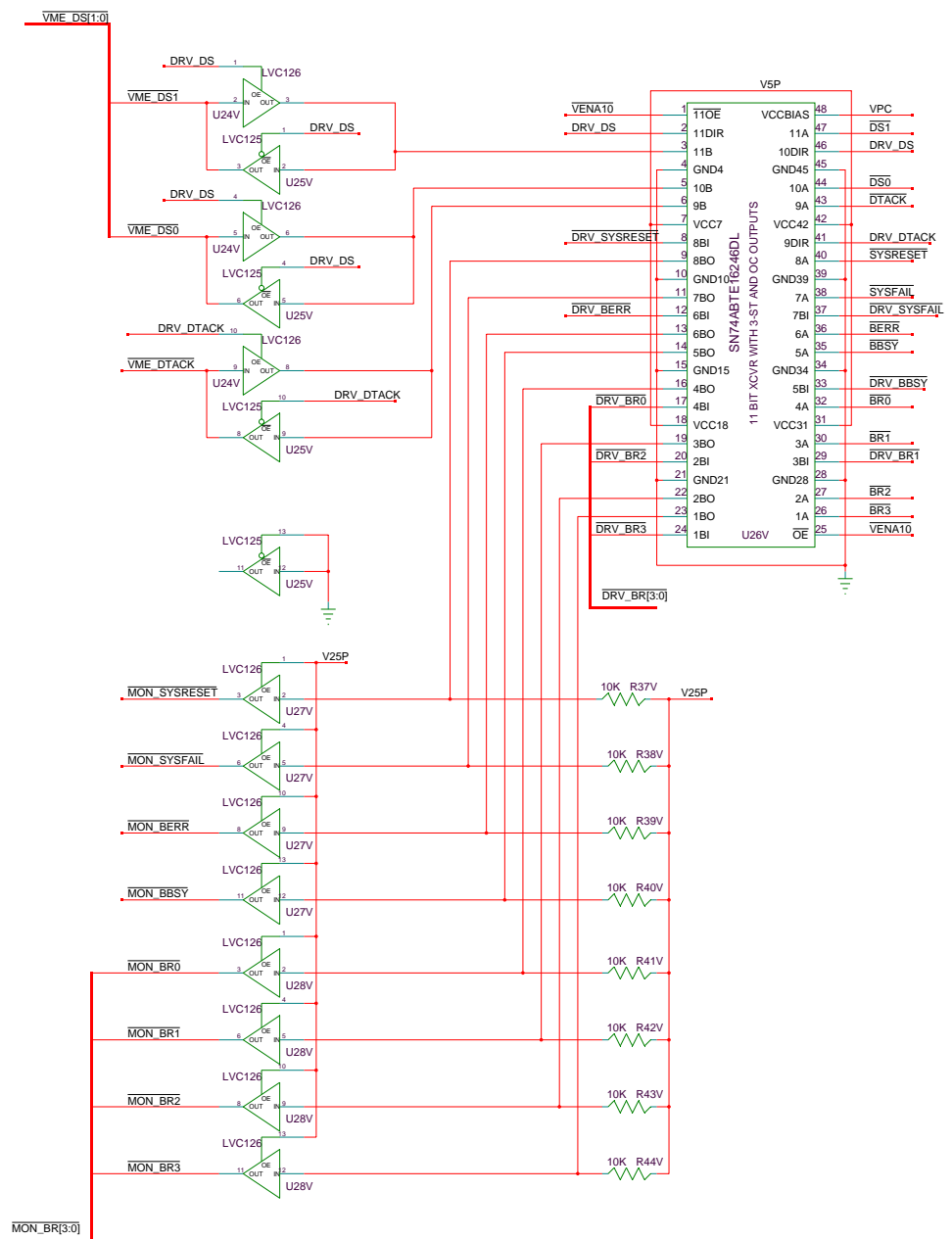


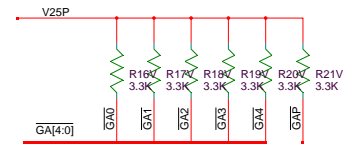
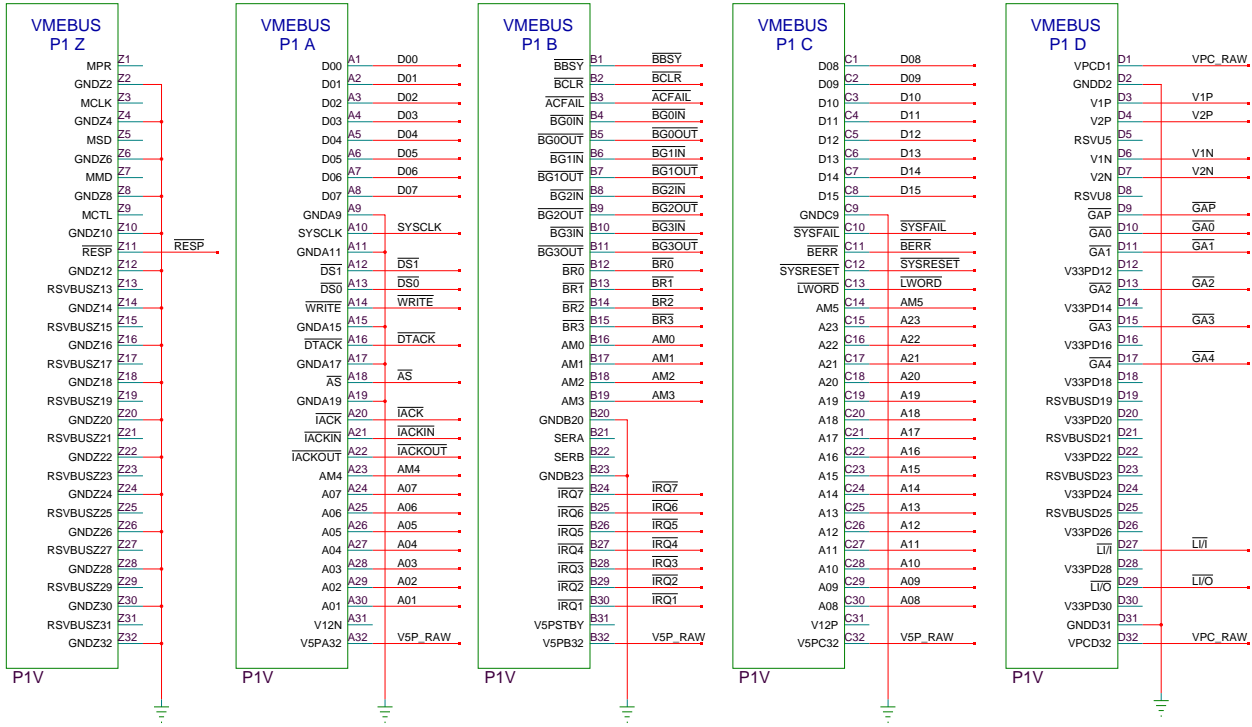


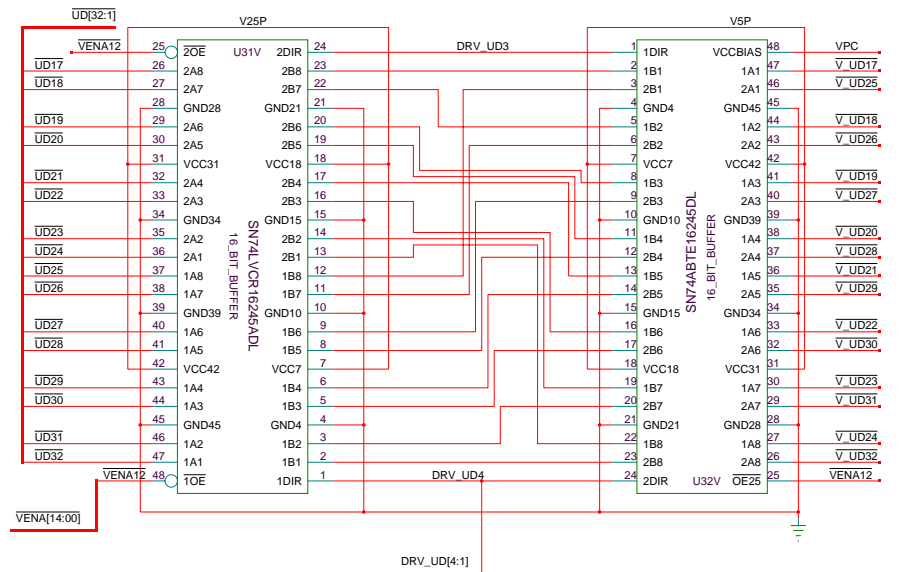
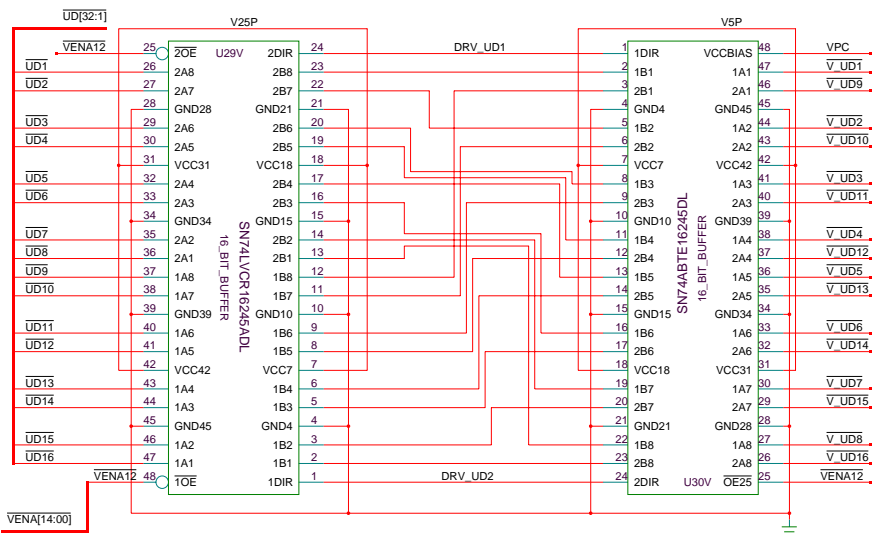


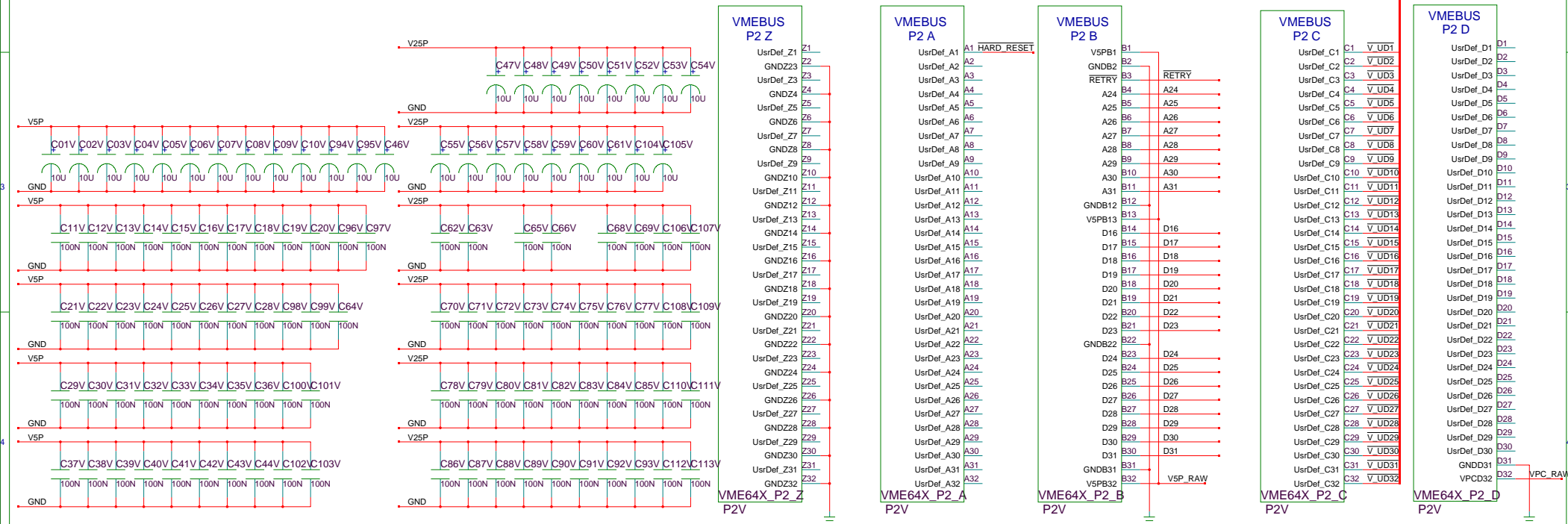
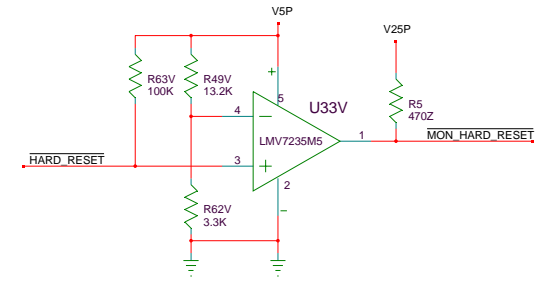




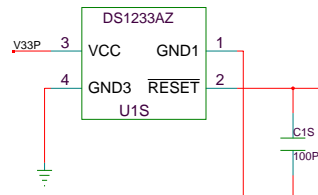
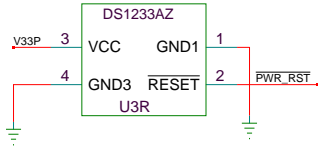
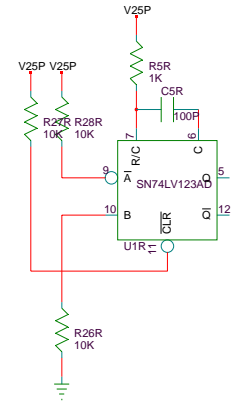
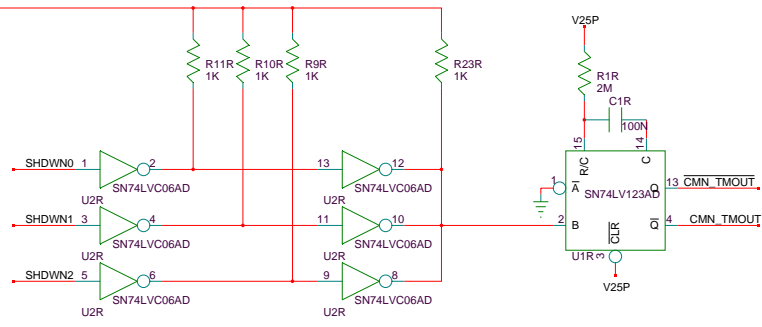
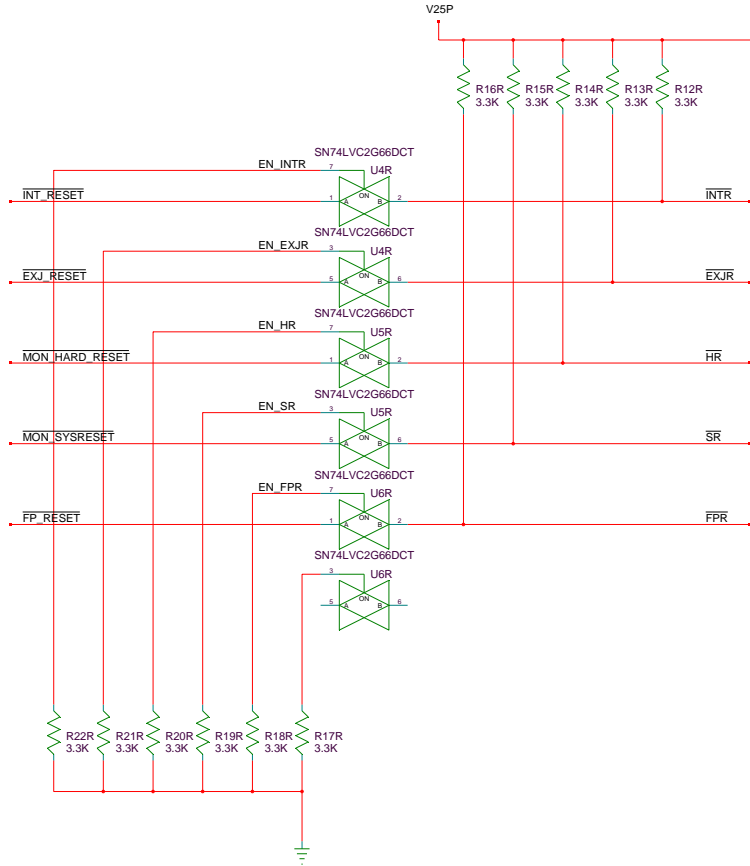








Common Components



FRONT PANEL
PUSHBUTTON RESET
Check Decal for Switch!
Last time it was wrong.

